

5G Mux/Demux Module-25G LWDM

1. Description

The fifth generation mobile phone mobile communication standard, also known as the fifth generation mobile communication technology, abbreviation:5G .It defines three scenarios: embb(enhanced mobile broadband),URLLC(low latency high reliability),and mMTC(mass large connection).

2. Features

- ◆ Network diversification
- ◆ BIP-ISDN
- ◆ Totalization
- ◆ Intelligentize
- ◆ Operating Wavelength:1260~1620nm
- ◆ Operating Temperature: from -30℃ to 85℃

3. Applications

- ◆ Network Cloud
- ◆ Media everywhere
- ◆ IOT
- ◆ Remote control

4. Compliance

- ◆ NSA-5G

5. Specifications

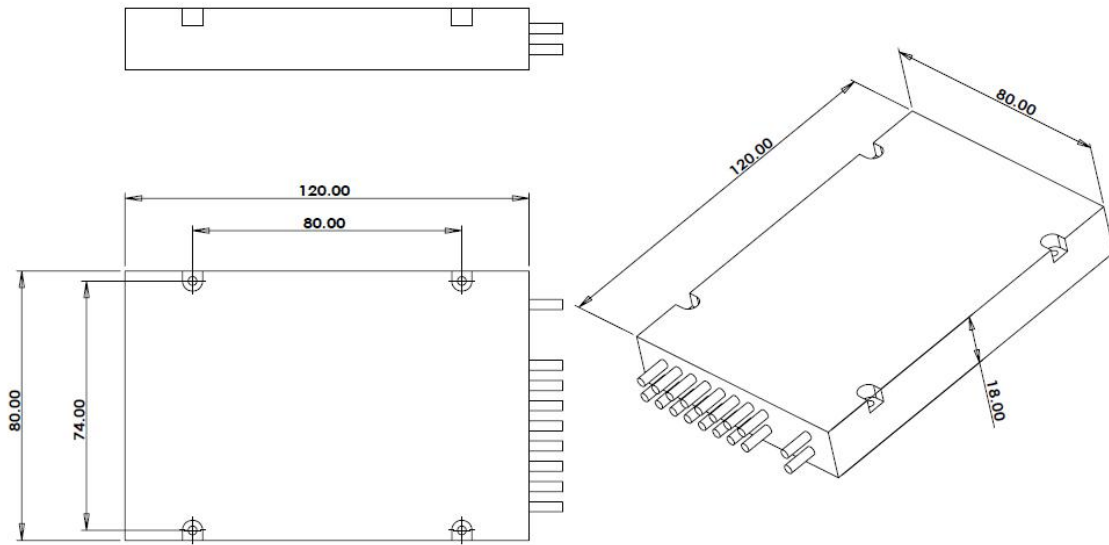
Parameters		Unit	5G Mux-25	
			Mux/Demux	
Operating Wavelength		nm	1260~1610	
Pass band		nm	> ±1.15	
Insertion Loss	1286.66nm	dB Max	1.0	2.5
	1291.10nm	dB Max	1.3	2.2
	1295.56nm	dB Max	1.6	1.9
	1300.05nm	dB Max	1.9	1.6
	1304.58nm	dB Max	2.2	1.3
	1309.14nm	dB Max	2.5	1.0
	EXP	dB Max	0.5	0.5
Adjacent Channels Isolation		dB Min	30	
Non-Adjacent Channels Isolation		dB Min	40	
Express Channels Isolation		dB Min	12	
Ripple		dB Max	0.4	
PDL		dB Max	0.3	
PMD		ps Max	0.1	
RL		dB Min	45	
Directivity		dB Min	50	
Power		mw Max	300	
Operating Temperature		°C	-30 ~ +85	
Storage Temperature		°C	-40 ~ +85	
Package (LxWxH)		mm	Metal Box:100×80×10 LGX Box: standard, 2 in 1, 4 in1 19-inch 1U Rack Mount: standard	

NOTES:

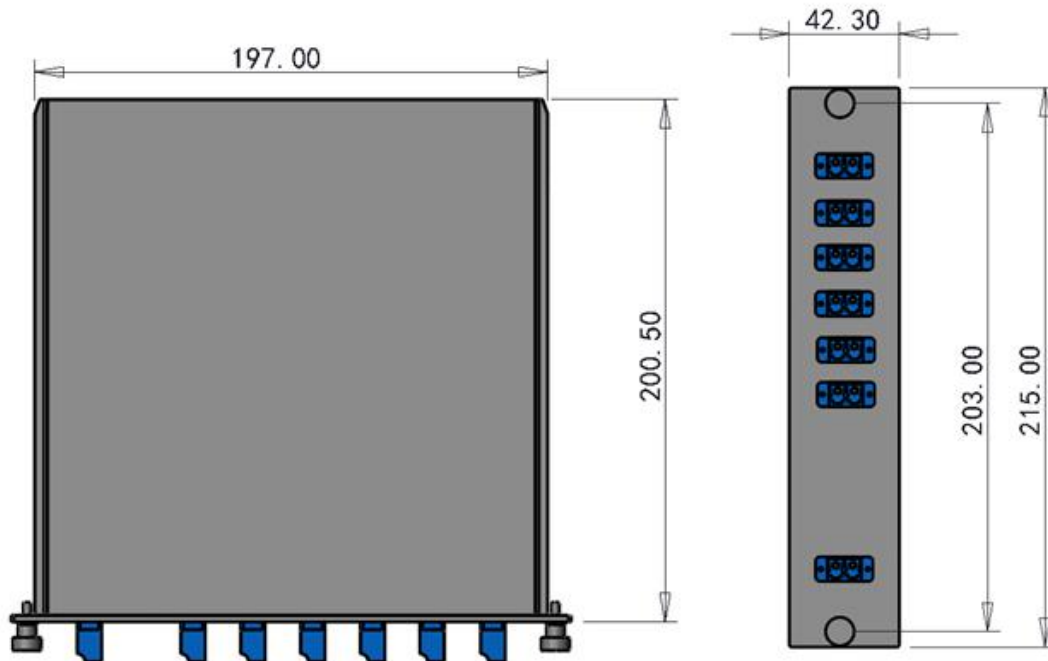
- 1) all the specifications are based on the devices with connectors, and guaranteed over wavelength, temperature.
- 2) an additional 0.3dB loss ought to be added per adaptor for LGX and Rack Mount.
- 3)Fiber type is G657A.

6. Mechanical Dimensions

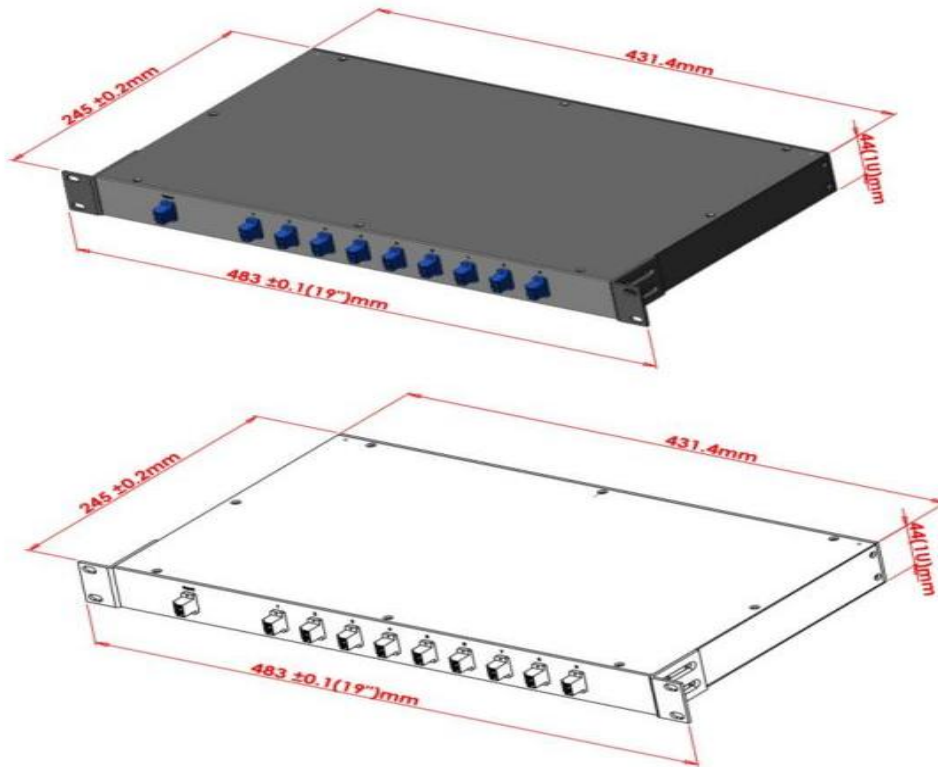
Metal Box (PS:100*80*10) :



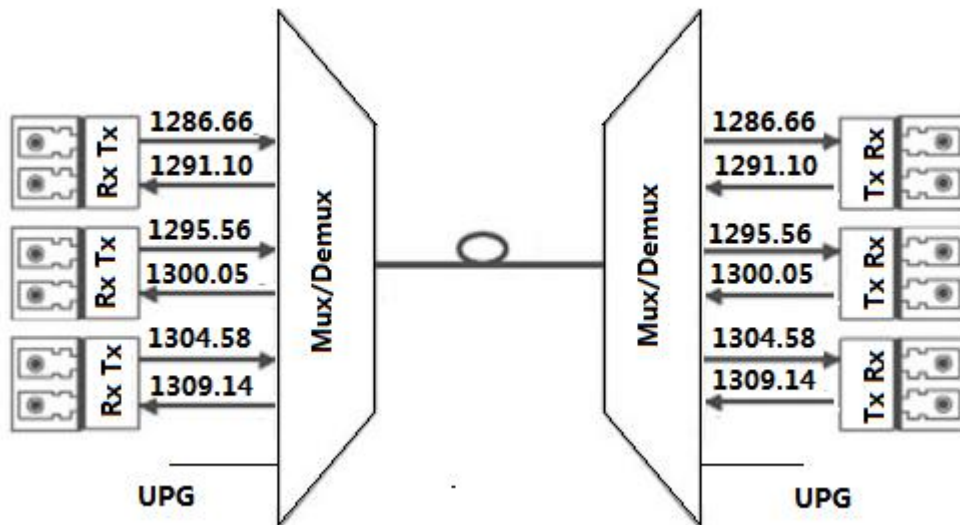
LGX Box(2 in 1):



19-inch 1U Rack Mount:



7. Structure Diagram



8. Ordering information



GWM	-	XX	X	X	XX	XX	XorXX	XX	-	X	X
		Port Configuration	WDM Type	Module Type	Initial Wavelength	Package type	Fiber type	Fiber Length		Input conector	Output conector
G=Gigalight		06=1*6	Q=Lan WDM	M=Mux	XX=Customized	PS=100×80×10 Metal Box	09=900um loose tube	07=0.7m		0=None	0=None
WM=Wavelength Division Multiplex Module				D=Demux		LX=Standard LGX Box		10=1.0m		1=FC/UPC	1=FC/UPC
						19=19'1U Rack Mount		15=1.5m		2=FC/APC	2=FC/APC
						21=2 in 1 LGX Box				3=SC/UPC	3=SC/UPC
						41=4 in1 LGX Box				4=SC/APC	4=SC/APC
										5=LC/UPC	5=LC/UPC
										6=LC/APC	6=LC/APC

E-mail: sales@gigalight.com.cn
Web: <http://www.gigalight.com.cn>