

## 5G-Mux/Demux-100G Module

### 1. Description

Gigalight's 100GHz/200GHz DWDM is based on TFF platform. This DWDM features ultra low loss and super thermal stability, and unparallel reliability. The module features up to 4 or 8/16 low dispersion channels, thereby enabling it to be a high capacity, low cost solution for DWDM system or WDM PON network applications. Easily customizable, Gialight's DWDM module can be configured from a standard list of packaging and connector options.

### 2. Features

- ◆ Low Insertion Loss
- ◆ High Isolation
- ◆ Low PDL
- ◆ Compact Design
- ◆ Good channel-to-channel uniformity
- ◆ Wide Operating Wavelength: From 1260nm to 1620nm
- ◆ Wide Operating Temperature: From -30°C to 85°C
- ◆ High Reliability and Stability

### 3. Applications

- ◆ WDM System
- ◆ PON Networks
- ◆ CATV Links

### 4. Compliance

- ◆ Telcordia GR-1209-CORE
- ◆ Telcordia GR-1221-CORE
- ◆ RoHS

## 5. Specifications

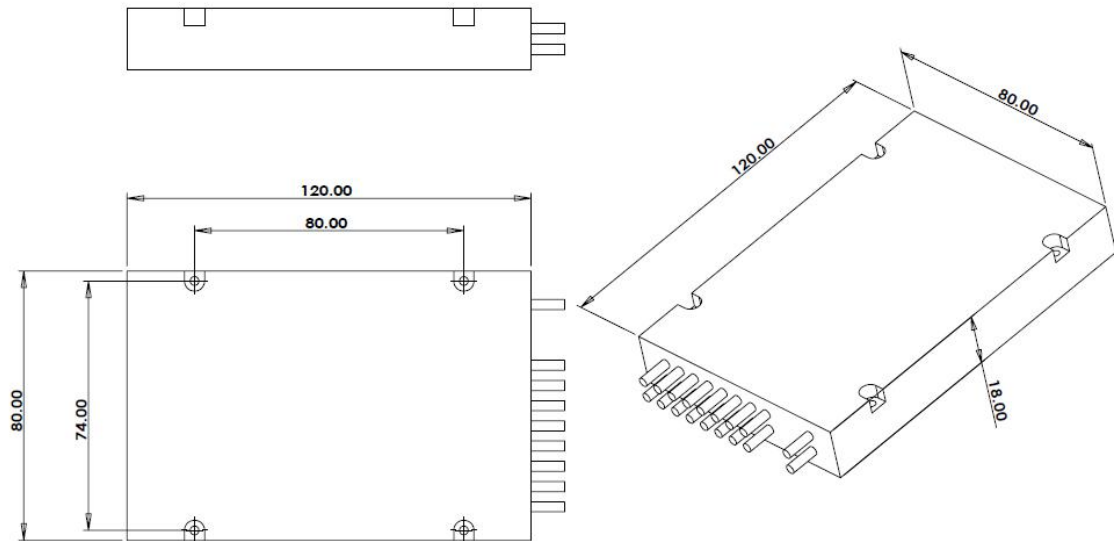
Parameters		Unit	16ch DWDM	
			Mux	Demux
COM Wavelength		nm	1260~1610	
DWDM 100GHz Passband		nm	> ±0.8	
Insertion Loss	CH 26	dB Max	1.2	2.6
	CH 27	dB Max	1.4	2.4
	CH 28	dB Max	1.6	2.2
	CH 29	dB Max	1.8	2.0
	CH 30	dB Max	2.0	1.8
	CH 31	dB Max	2.2	1.6
	CH 32	dB Max	2.4	1.4
	CH 33	dB Max	2.6	1.2
	CH 35	dB Max	1.2	2.6
	CH 36	dB Max	1.4	2.4
	CH 37	dB Max	1.6	2.2
	CH 38	dB Max	1.8	2.0
	CH 39	dB Max	2.0	1.8
	CH 40	dB Max	2.2	1.6
	CH 41	dB Max	2.4	1.4
CH 42	dB Max	2.6	1.2	
Express	dB Max	2.0	2.0	
Adjacent Channels Isolation		dB Min	30	
Non-Adjacent Channels Isolation		dB Min	40	
Express Channel Isolation		dB Min	15	
Ripple		dB Max	0.5	
PDL		dB Max	0.3	
PMD		ps Max	0.1	
RL		dB Min	45	
Directivity		dB Max	50	
Power (mw)		dB Min	300	
Operating Temperature		°C	-30~85	
Storage Temperature		°C	-40~85	

### NOTES:

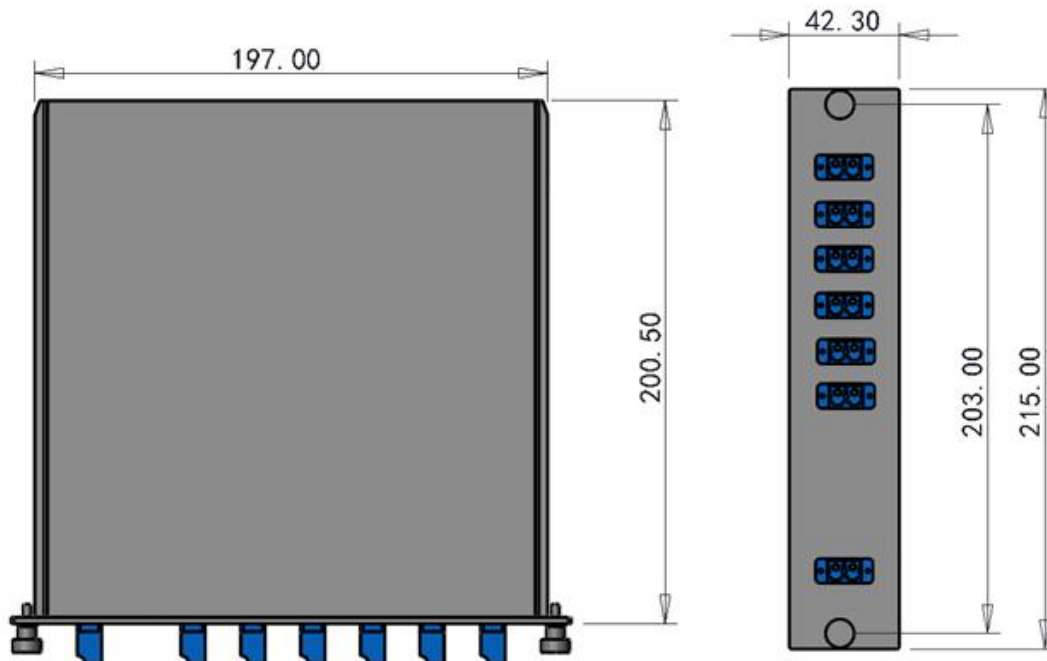
- 1) all the specifications are based on the devices with connectors, and guaranteed over wavelength, temperature.
- 2) an additional 0.3dB loss ought to be added per adaptor
- 3)Fiber type is G657A.

## 6. Mechanical Dimensions

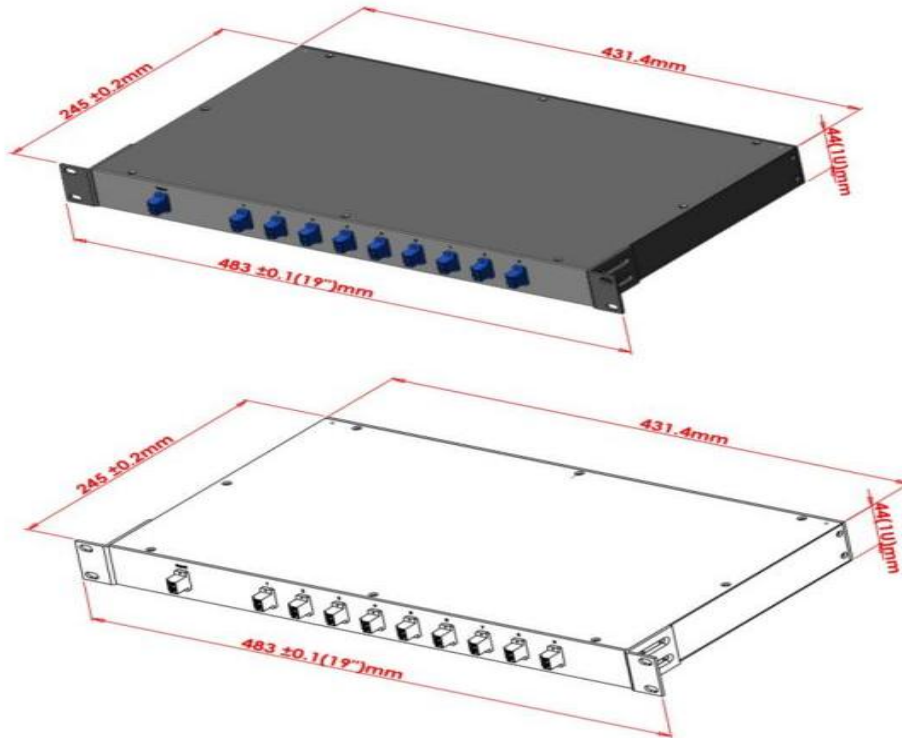
Metal Box (PM:120x80x18):



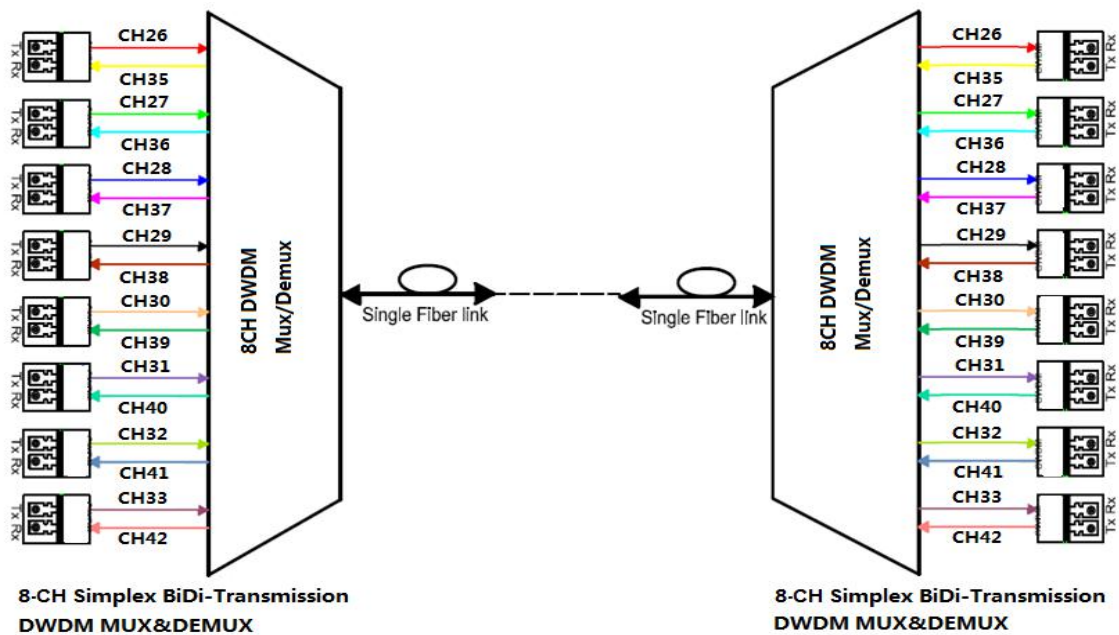
LGX Box(2 in 1):



19-inch 1U Rack Mount:



## 7. Structure Diagram





## 8. Ordering information

GWM	-	XX	X	X	XX	XX	XorXX	XX	-	X	X
		Port Configuration	WDM Type	Module Type	Initial Wavelength	Package type	Fiber type	Fiber Length		Input conector	Output conector
G=Gigalight		16=1*16	X=100G DWDM	M=Mux	26=CH26	PM=120×80×18 ABS Box	09=900um loose tube	07=0.7m		0=None	0=None
WM=Wavelength Division Multiplex Module				D=Demux		LX=Standard LGX Box		10=1.0m		1=FC/UPC	1=FC/UPC
						19=19'1U Rack Mount		15=1.5m		2=FC/APC	2=FC/APC
						21=2 in 1 LGX Box				3=SC/UPC	3=SC/UPC
						41=4 in1 LGX Box				4=SC/APC	4=SC/APC
										5=LC/UPC	5=LC/UPC
										6=LC/APC	6=LC/APC

### Note :

If there is a demand for orders which are different from those described above, please contact our sales.

E-mail: [sales@gigalight.com.cn](mailto:sales@gigalight.com.cn)

Web: <http://www.gigalight.com.cn>