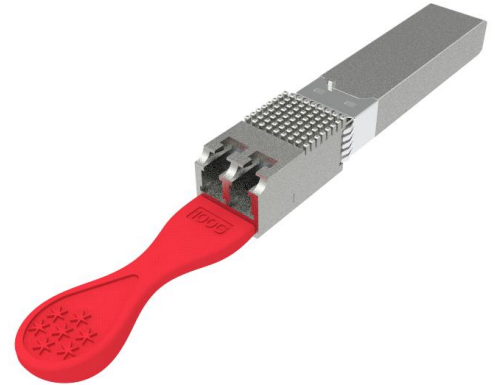


## GIGALIGHT 100G-ER1 Lite -30km SFP56-DD Optical Transceiver

P/N: **GSD-SPO101-ES1CZ**

### Features

- ✓ Compliant to 100G Lambda MSA 100G ER1-30
- ✓ Full-duplex transceiver module
- ✓ 1x106.25Gb/s(PAM4) optical interface
- ✓ 2x53.125Gb/s(PAM4) electrical interface
- ✓ 106.25Gbps PAM4 based on a cooled EML TOSA transmitter
- ✓ 106.25Gbps PAM4 APD Receiver
- ✓ **3.5W** maximum power dissipation
- ✓ Hot-pluggable SFP56-DD form factor
- ✓ Maximum link length of 30km on G.652 SMF with KP-FEC
- ✓ Duplex LC receptacles
- ✓ Built-in digital diagnostic functions
- ✓ Operating case temperature range: 0 to 70°Cs
- ✓ Single 3.3V power supply
- ✓ RoHS compliant (lead free)



### Applications

- ✓ 100G Lambda 100G ER1-30

### Description

The Gigalight 100G ER1-30km SFP56-DD optical transceiver, 100G SFP56-DD ER1-30(**GSD-SPO101-ES1CZ**) is designed for using in 100-Gigabit Ethernet links up to 30km over Single-Mode Fiber (SMF). It is compliant with the SFP56-DD MSA, 100G Lambda 100G ER1-30 and CAUI-4(no FEC)<sup>1</sup>. Digital diagnostics functions are available via the I2C interface, as specified by the SFP56-DD MSA.

The module incorporates 1 channel optical signal, on 1311nm center wavelength, operating at 100Gbps data rate. This module can convert 2 channels of 25Gbps (PAM4) electrical input data to 1 channel of 100Gbps (PAM4) optical signal, and also can convert 1 channel of 100Gbps (PAM4) optical signal to 2 channels of 25Gbps (PAM) electrical output data. The optical interface uses a Duplex LC connector. The

high performance cooled EML transmitter and high sensitivity PIN receiver provide superior performance for 100Gigabit Ethernet applications up to 30km links.

**Note:**

1. KR-FEC is optional, please contact us if necessary.

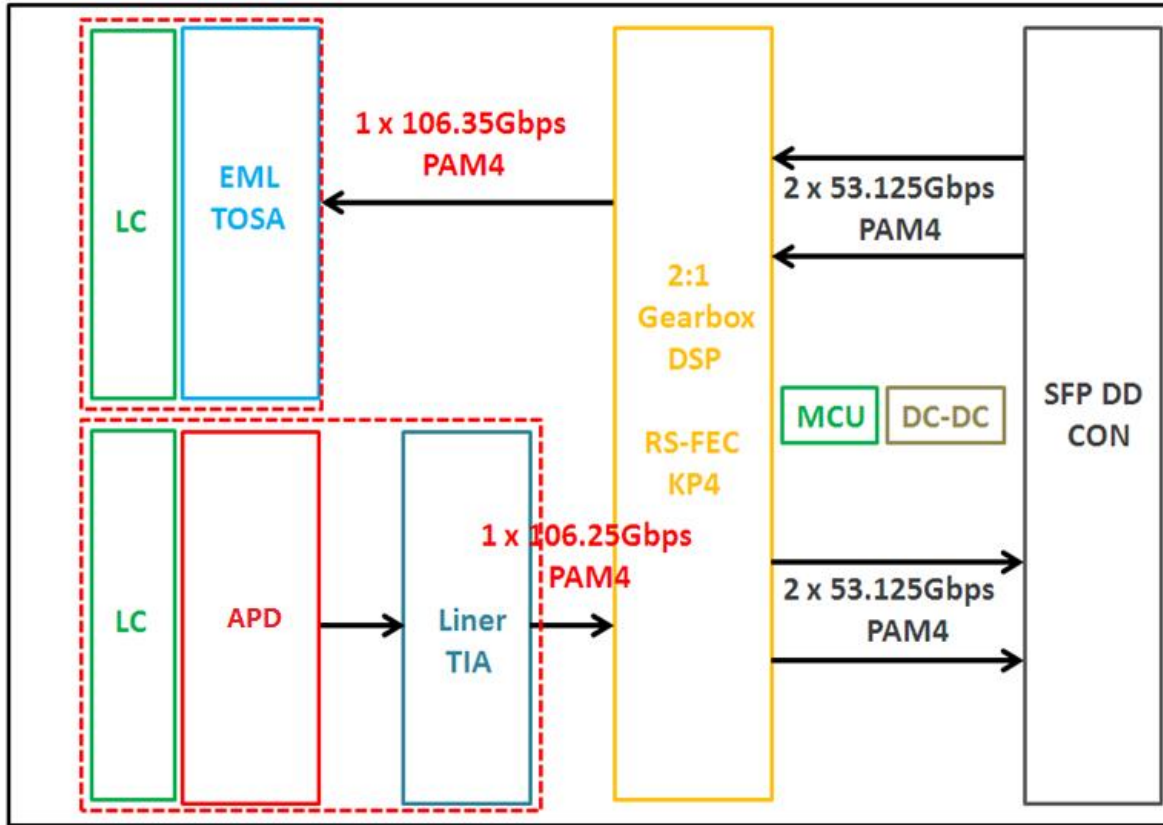


Figure 1. Module Block Diagram

**Absolute Maximum Ratings**

Parameter	Symbol	Min	Max	Unit
Supply Voltage	$V_{cc}$	-0.3	3.6	V
Input Voltage	$V_{in}$	-0.3	$V_{cc}+0.3$	V
Storage Temperature	$T_s$	-20	85	°C
Case Operating Temperature	$T_c$	0	70	°C
Humidity (non-condensing)	Rh	5	85	%

**Recommended Operating Conditions**

Parameter	Symbol	Min	Typical	Max	Unit
-----------	--------	-----	---------	-----	------

Supply Voltage	$V_{cc}$	3.13	3.3	3.47	V
Operating Case temperature	$T_c$	0	-	70	°C
Data Rate Per Lane	$f_d$	-	106.25	-	Gb/s
Humidity	Rh	5	-	85	%
Power Dissipation	$P_m$	-	3	3.5	W
Link Distance with G.652	D	-	-	30	km

### Electrical Specifications

Parameter	Symbol	Min	Typical	Max	Unit
Differential Input Impedance	$Z_{in}$	90	100	110	ohm
Differential Output Impedance	$Z_{out}$	90	100	110	ohm
Differential Input Voltage Amplitude <sup>1</sup>	$\Delta V_{in}$	-	-	1600	mVp-p
Differential Output Voltage Amplitude <sup>2</sup>	$\Delta V_{out}$	-	-	900	mVp-p

#### Note:

1. Differential input voltage amplitude is measured between TxnP and TxnN.
2. Differential output voltage amplitude is measured between RxnP and RxnN.

### Optical Characteristics

Parameter	Symbol	Min	Typical	Max	Unit	Notes
<b>Transmitter</b>						
Centre Wavelength	$\lambda_c$	1304.5	-	1317.5	nm	-
Side-mode suppression ratio	SMSR	30	-	-	dB	-
Average launch power	$P_{out}$	0	-	5.6	dBm	-
Transmitter and dispersion eye closure(TDECQ)	TDECQ	-	-	3.9	dB	-
Extinction Ratio	ER	5	-	-	dB	-
Average launch power of OFF transmitter		-	-	-30	dB	-
<b>Receiver</b>						
Centre Wavelength	$\lambda_c$	1304.5	-	1317.5	nm	-
Receiver Sensitivity in OMA outer	$RX_{sen}$	-	-	-12.5	dBm	1
Average receive power	$P_{in}$	-14.7	-	-3.4	dBm	-

Receiver Reflectance		-	-	-26	dB	-
LOS Assert		-	-15.7	-	dBm	-
LOS De-Assert – OMA		-	-13.7	-	dBm	-
LOS Hysteresis		0.5	-	-	dB	-
Damage threshold				-3	dBm	

**Note:**

1. Measured with conformance test signal at TP3 for BER = 2.4E-4 Pre-FECs

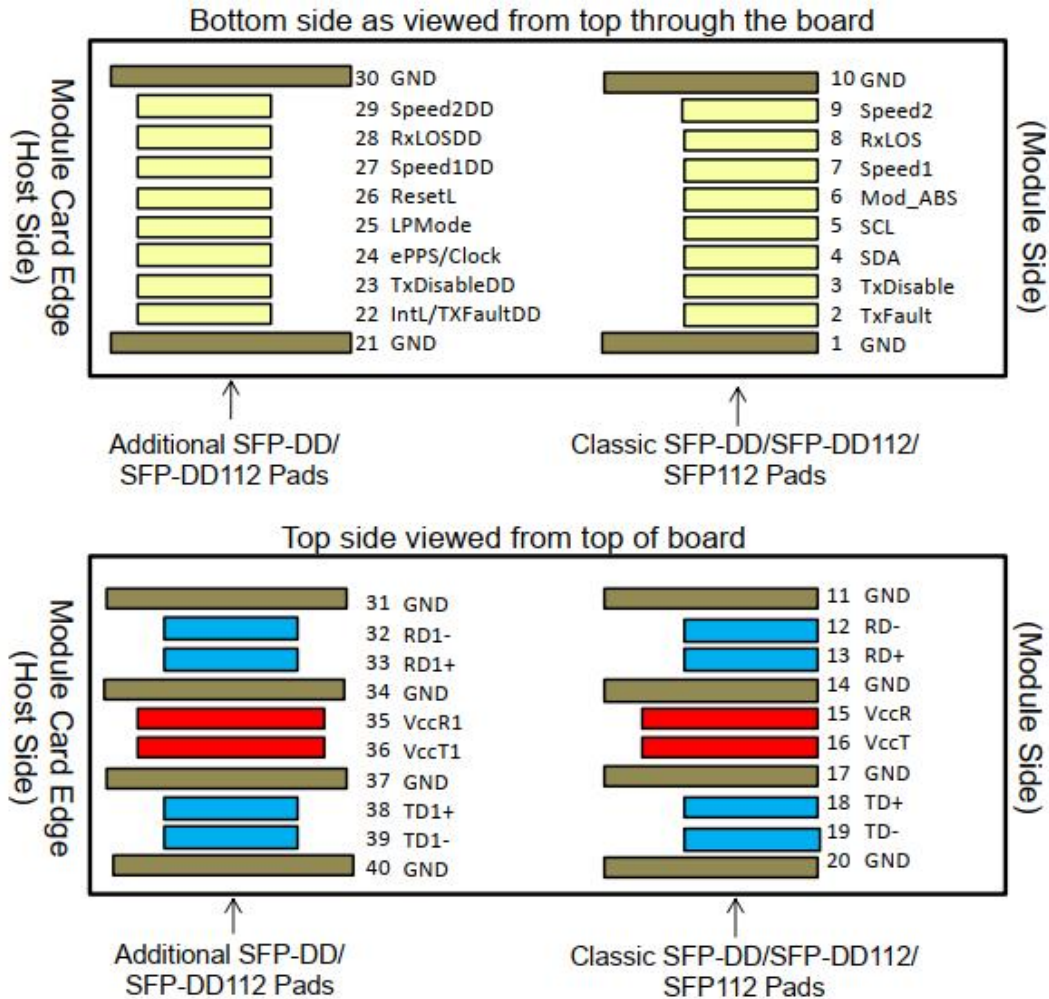
**Pin Description**

Pin	Logic	Symbol	Name/Description
1		GND	Module Ground <sup>Note1</sup>
2	LVTTL-O	TXFault	Module Fault Indication: optionally configured as classic SFP Module Fault Indication via TWI as
3	LVTTL-I	TxDisable	Transmitter Disable for classic SFP channel
4	LVC MOS-I/O	SDA	Management I/F data line
5	LVC MOS-I/O	SCL	Management I/F clock
6	LVTTL-O	Mod_ABS	Module Absent
7	LVTTL-I	Speed1	Rx Rate Select for classic SFP channel
8	LVTTL-O	RxLOS	Rx Loss of Signal for classic SFP channel
9	LVTTL-I	Speed2	Tx Rate Select for classic SFP channel
10		GND	Ground <sup>Note1</sup>
11		GND	Ground <sup>Note1</sup>
12	CML-O	RD0-	Inverse Received Data Out for classic SFP+ channel
13	CML-O	RD0+	Received Data Out for classic SFP+ channel
14		GND	Ground <sup>Note1</sup>
15		VccR	Receiver Power <sup>Note2</sup>
16		VccT	Transmitter Power <sup>Note2</sup>
17		GND	Ground <sup>Note1</sup>
18	CML-I	TD0+	Transmit Data In for classic SFP channel
19	CML-I	TD0-	Inverse Transmit Data In for classic SFP channel
20		GND	Ground <sup>Note1</sup>
21		GND	Ground <sup>Note1</sup>
22	LVTTL-O	IntL/ TxFaultDD	Interrupt: optionally configured as TxFaultDD via TWI as described in the SFP-DD MIS

23	LVTTL-I	TxDisableDD	Transmitter Disable for DD channel
24	LVTTL-I	ePPS/Clock	Precision Time Protocol (PTP) reference clock input <sup>Note3</sup>
25	LVTTL-I	LPMode	Low Power Mode Control
26	LVTTL-I	ResetL	Module Reset
27	LVTTL-I	Speed1DD	Rx Rate Select for DD channel
28	LVTTL-O	RxLOSDD	Loss of Signal for DD channel
29	LVTTL-I	Speed2DD	Tx Rate Select for DD channel
30		GND	Ground <sup>Note1</sup>
31		GND	Ground <sup>Note1</sup>
32	CML-O	RD1-	Inverse Received Data Out
33	CML-O	RD1+	Received Data Out
34		GND	Ground <sup>Note1</sup>
35		VccR1	Receiver Power for DD channel <sup>Note2</sup>
36		VccT1	Transmitter Power for DD channel <sup>Note2</sup>
37		GND	Ground <sup>Note</sup>
38	CML-I	TD1+	Transmit Dat
39	CML-I	TD1-	Inverse Transmit Data
40		GND	Ground <sup>Note1</sup>

**Note:**

1. SFP-DD uses common ground (GND) for all signals and supply (power). All are common within the SFP-DD module and all module voltages are referenced to this potential unless otherwise noted. Connect these directly to the host board signalcommon ground plane.
2. VccR, VccT shall be applied concurrently and VccR1, VccT1 shall be applied concurrently. Requirements defined for the host side of the Host.The connector Vcc pins are each rated for a maximum current of 1000 mA.
3. The ePPS pins (if not used) may be terminated with 50 to ground on the host.



**Figure 2. Electrical Pin-out Details**

### Speed1, Speed2, Speed1DD, Speed2DD

Speed1, Speed2, Speed1DD and Speed2DD are module inputs and are pulled low to GND with >30 k resistors in the module. Speed1 optionally selects the optical receive signaling rate for channel 1. Speed1DD optionally selects the optical receive signaling rate for channel 2. Speed2 optionally selects the optical transmit signaling rate for the channel 1. Speed2DD optionally selects the optical transmit signaling rate for channel 2.

Note: At 128 GFC the FC LSN no longer require to use Speed1, Speed2, Speed1DD and Speed2DD, it is under consideration to reclaim these signals for programmable or other functions.

### ResetL Pin

Reset. LPMODE\_Reset has an internal pull-up in the module. A low level on the ResetL pin for longer than the minimum pulse length ( $t_{Reset\_init}$ ) initiates a complete module reset, returning all user module settings to their default state. Module Reset Assert Time ( $t_{init}$ ) starts on the rising edge after the

low level on the ResetL pin is released. During the execution of a reset ( $t_{init}$ ) the host shall disregard all status bits until the module indicates a completion of the reset interrupt. The module indicates this by posting an IntL signal with the Data\_Not\_Ready bit negated. Note that on power up (including hot insertion) the module will post this completion of reset interrupt without requiring a reset.

### **Mod\_ABS**

Mod\_ABS must be pulled up to Vcc Host on the host board and pulled low in the module. The Mod\_ABS is asserted “Low” when the module is inserted. The Mod\_ABS is deasserted “High” when the module is physically absent from the host connector due to the pull up resistor on the host board.

### **LPMode**

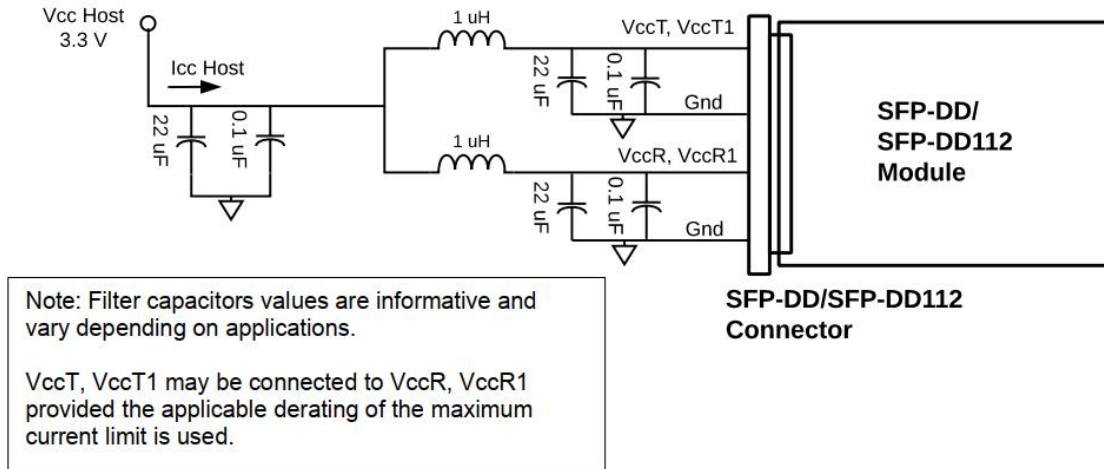
LPMode is an input signal from the host operating with active high logic. The LPMode signal must be pulled up to Vcc in the SFP-DD/SFP-DD112 module. The LPMode signal allows the host to define whether the SFP-DD/SFP-DD112 module will remain in Low Power Mode until software enables the transition to High Power Mode as defined in the SFP-DD management specification. In Low Power Mode (LPMode de-asserted Low), the module may immediately transition to High Power Mode after the management interface is initialized.

### **ResetL**

The ResetL signal shall be pulled to Vcc in the module. A low level on the ResetL signal for longer than the minimum pulse length ( $t_{Reset\_init}$ ) initiates a complete module reset, returning all user module settings to their default state.

### **Power Supply Filtering**

The host board should use the power supply filtering shown in Figure 3.



**Figure 3. Host Board Power Supply Filtering**

## DIAGNOSTIC MONITORING INTERFACE (OPTIONAL)

The following digital diagnostic characteristics are defined over the normal operating conditions unless otherwise specified.

Parameter	Symbol	Min	Max	Units	Notes
Temperature monitor absolute error	DMI_Temp	-3	+3	degC	Over operating temperature range
Supply voltage monitor absolute error	DMI_VCC	-0.1	0.1	V	Over full operating range
Channel RX power monitor absolute error	DMI_RX_Ch	-2	2	dB	1
Channel Bias current monitor	DMI_Ibias_Ch	-10%	10%	mA	
Channel TX power monitor absolute error	DMI_TX_Ch	-2	2	dB	1

### Notes:

1. Due to measurement accuracy of different single mode fibers, there could be an additional +/- 1 dB fluctuation, or a +/- 3 dB total accuracy.

Digital diagnostics functions are available via the I2C interface as specified by SFP-DD MIS. The SFP-DD MIS management memory is shown in Figure 4.

Due to eight-bit addresses, This limits the management memory that can be directly accessed by the



host to 256 bytes, which is divided in Lower Memory (addresses 00h through 7Fh) and Upper Memory (addresses 80h through FFh).

The addressing structure of the additional internal management memory<sup>1</sup> is shown in Figure 5. The management memory inside the module is arranged as a unique and always host accessible address space of 128 bytes (Lower Memory) and as multiple upper address subspaces of 128 bytes each (Pages), only one of which is selected as host visible in Upper Memory. A second level of Page selection is possible for Pages for which several instances exist (e.g. where a bank of pages with the same Page number exists).

This structure supports a flat 256 byte memory for passive copper modules and permits timely access to addresses in the Lower Memory, e.g. Flags and Monitors. Less time critical entries, e.g. serial ID information and threshold settings, are available with the Page Select function in the Lower Page. For more complex modules which require a larger amount of management memory the host needs to use dynamic mapping of the various Pages into the host addressable Upper Memory address space, whenever needed.

*Note: The management memory map has been designed largely after the CMIS memory map where pages and banks are used in order to enable time critical interactions between host and module while expanding the memory size. This memory map has been changed in order to accommodate just two electrical lanes and to limit the required memory. The single address approach is used as found in QSFP.*

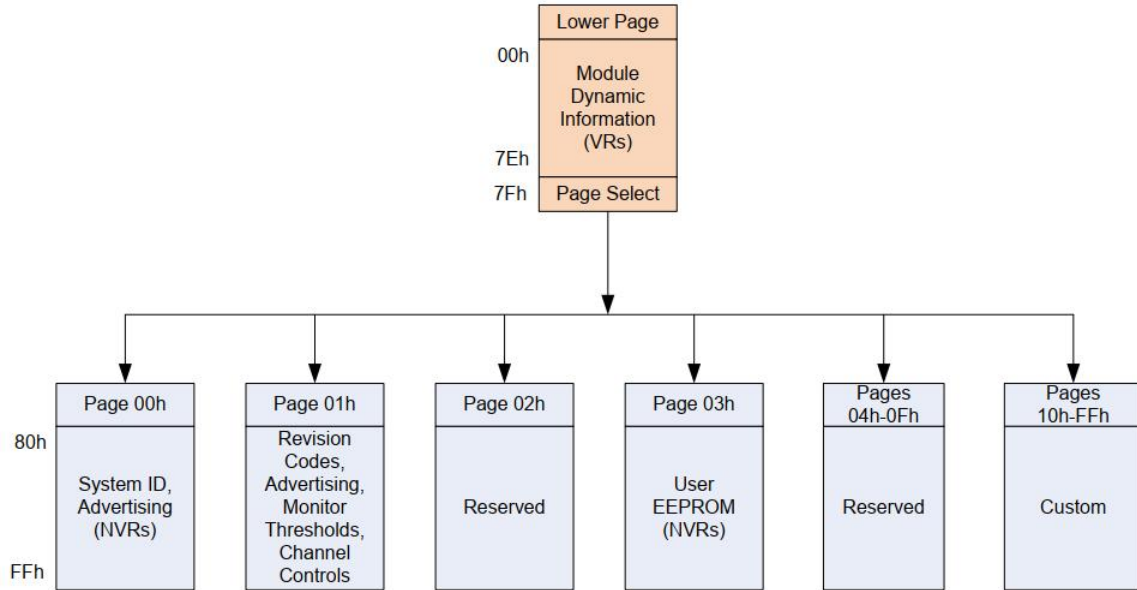


Figure 4. QSFP28 Memory Map

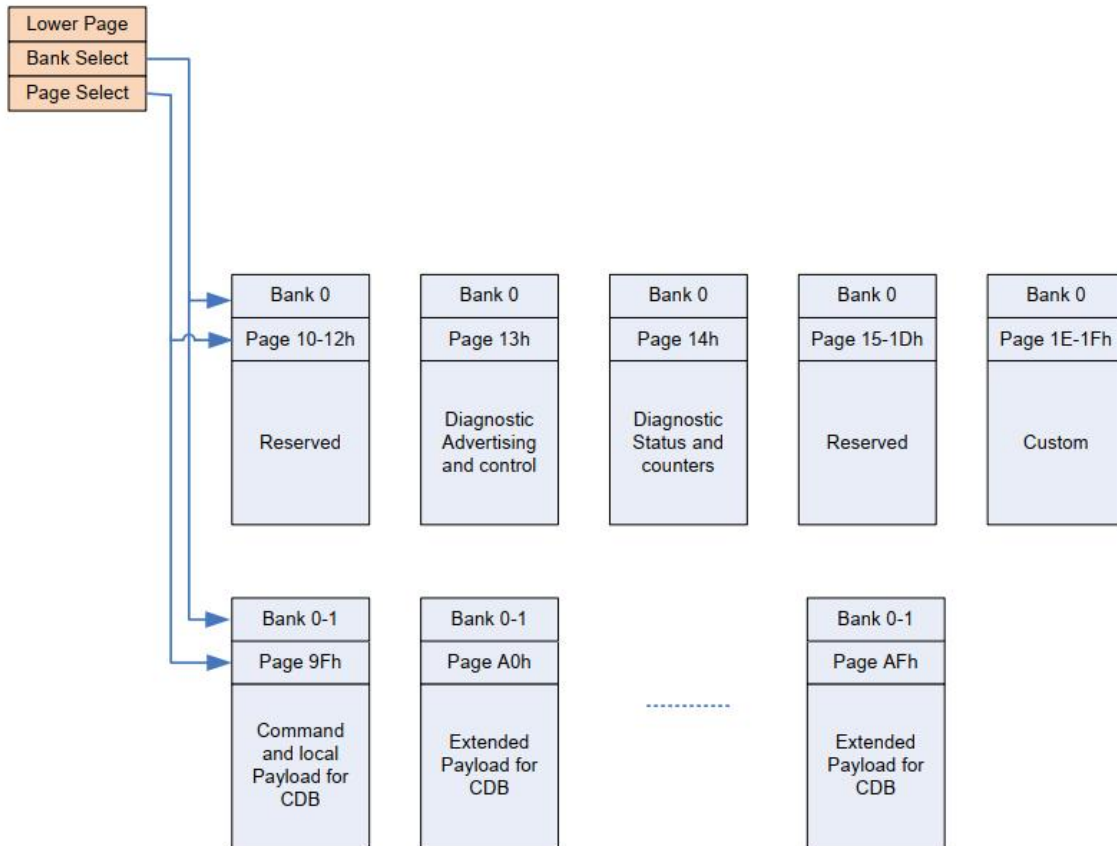


Figure 5. SFP-DD MIS Bank Page Memory Map

Address	Size	Subject Area	Description
0-3	4	ID and Status Area	Module ID from SFF-8024 list, version number, Type and status Flat mem indication, CLEI present indicator, Maximum TWI speed, Current state of Module, Current state of the Interrupt signal
4-9	6	Lane-Level Flags	Flags that are lane or data path specific
10-13	4	Module-Level Flags	All flags that are not lane or data path specific
14-21	12	Module-Level Monitors	Monitors that are not lane or data path specific
22-25	4	Wavelength and Fiber mapping	
26	1	Module Global Controls	Controls applicable to the module as a whole
27-28	2	Reserved	
29-30	2	Custom	
31-36	6	Reserved	
37-38	2	CDB Status Area	Status of most recent CDB command
39-40	2	Module Firmware Version	Module Firmware Version.
41-52	12	Reserved Area	Reserved for future standardization
53-57	5	Lane Masks	Vendor or module type specific use
58-61	4	Module Masks	
62-73	12	Tx/Rx Power/Bias	
74-82	9	Control Set	
83-84	2	Reserved	
85-117	33	Application Advertising	Combinations of host and media interfaces that are supported by module data path(s)
118-125	8	Password Entry and Change	
126	1	Bank Select Byte	Bank address of currently visible Page
127	1	Page Select Byte	Page address of currently visible Page

**Figure 6. The Lower Memory Overview**

Address	Size (bytes)	Name	Description
128	1	Identifier	Identifier Type of module
129-144	16	Vendor name	Vendor name (ASCII)
145-147	3	Vendor OUI	Vendor IEEE company ID
148-163	16	Vendor PN	Part number provided by vendor (ASCII)
164-165	2	Vendor rev	Revision level for part number provided by vendor (ASCII)
166-181	16	Vendor SN	Vendor Serial Number (ASCII)
182-189	8	Date Code	
190-199	10	CLEI code	Common Language Equipment Identification code
200-201	2	Module power characteristics	
202	1	Cable assembly length	
203	1	Media Connector Type	
204-207	6	Copper Cable Attenuation	
208-209	2	Reserved	
210-211	2	Cable Assembly Lane Information	
212	1	Media Interface Technology	
213-220	8	Reserved	
221	1	Custom	
222	1	Checksum	Includes bytes 128-221
223-255	33	Custom Info NV	

**Figure 7. Page 00h Memory Overview**

Byte	Size (bytes)	Name	Description
128-131	4	Module Firmware and Hardware revisions	
132-137	6	Supported link length	Supported lengths of various fiber media
138-139	2	Nominal Wavelength	
140-141	2	Wavelength Tolerance	
142-144	3	Implemented Memory Pages and Durations advertising	
145-154	10	Module Characteristics advertising	
155-156	2	Implemented Controls advertising	
157-158	2	Implemented Flags advertising	
159-160	2	Implemented Monitors advertising	
161-162	2	Implemented Signal Integrity Controls advertising	
163-166	4	CDB support advertising	
167-168	2	Additional Durations advertising	
169-175	7	Reserved	
176-190	15	Module Media Lane advertising	
191-222	32	Custom	
233	1	DataPathDeinit	Data Pathcontrol bits for each lane, controls Data Path State machine
234-239	14	Lane-Specific Control	Fields to control lane attributes independent of the Data Path State machine or control sets
240-245	35	Staged Control Set 0	Fields to configure the selected Application Code and signal integrity settings
246-254	35	Staged Control Set 1	Fields to configure the selected Application Code and signal integrity settings
255	1	Checksum	Checksum of bytes 130-232 <sup>1</sup>

Note 1: The firmware version bytes 128-129 are excluded from the checksum to allow module implementers to programmatically generate these fields and avoid requiring a memory map update when firmware is updated.

**Figure 8. Page 01h Memory Overview**

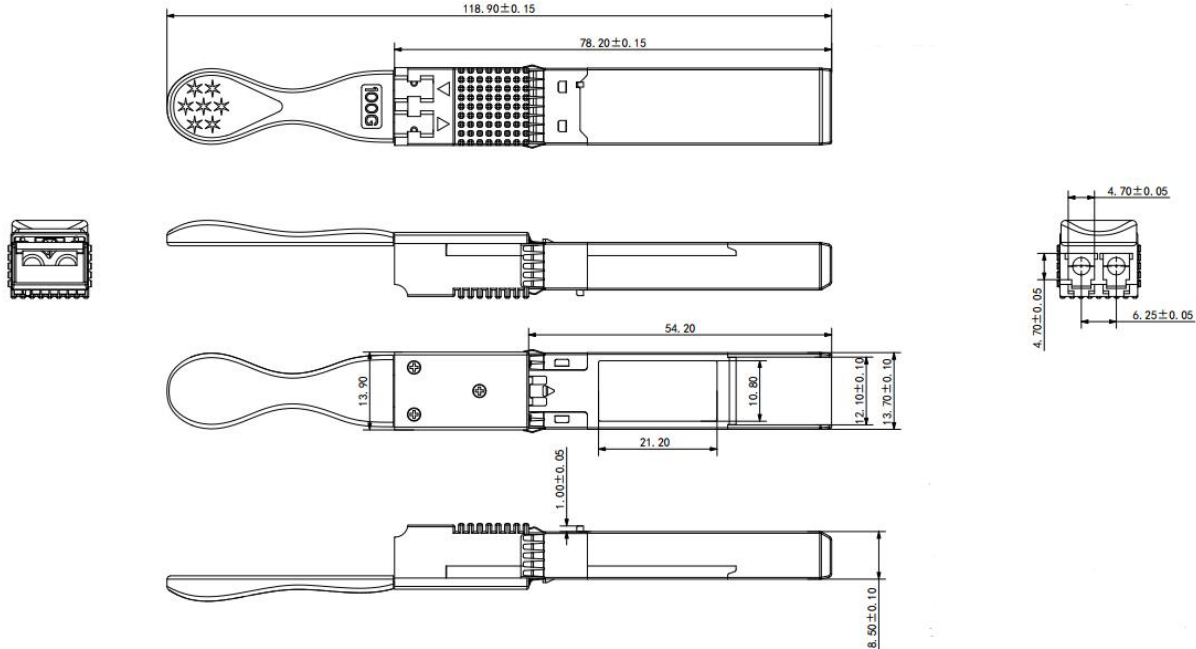
Byte	Size (bytes)	Name	Description
128	1	Loopback capabilities	Module advertisement
129	1	General pattern capabilities	Module advertisement
130	1	Diagnostic reporting capabilities	Module advertisement
131	1	Pattern Generation and Checking locations	Module advertisement
132-142	11	Pattern Generation and Checking capabilities	Module advertisement
143	1	Reserved	Reserved for Module advertisement
144-151	8	Pattern Generator, host side	Host controls
152-159	8	Pattern Generator, media side	Host controls
160-167	8	Pattern Checker, host side	Host controls
168-175	8	Pattern Checker, media side	Host controls
176-179	4	General Generator/Checker controls	Host controls
180-183	4	Loopback controls	Host controls
184-195	12	Reserved	
196-205	10	Custom	
206-223	18	Diagnostic flag masks	Page 14h Flags in bytes 132-149
224-255	32	User Pattern	

**Figure 9. Page 13h Memory Overview**

Byte	Size (bytes)	Name	Description
128	1	Diagnostics Selector	This selects the content of the data in bytes 192-255
129	1	Reserved	
130-131	2	Custom	
132-139	18	Latched Diagnostics Flags	
140-149	10	Reserved	
192-255	64	Error Information Registers	Contents defined by Diagnostics Selector

**Figure 10. Page 14h Memory Overview**

### Mechanical Dimensions



**Figure 8. Mechanical Specifications**

### Regulatory Compliance

Gigalight **GSD-SPO101-ES1CZ** transceivers are Class 1 Laser Products. They meet the requirements of the following standards.

Feature	Standard
Laser Safety	IEC 60825-1:2014 (3 <sup>rd</sup> Edition) IEC 60825-2:2004/AMD2:2010 EN 60825-1-2014 EN 60825-2:2004+A1+A2
Electrical Safety	EN 62368-1: 2014 IEC 62368-1:2014 UL 62368-1:2014
Environmental protection	Directive 2011/65/EU with amendment(EU)2015/863

CE EMC	EN55032: 2015 EN55035: 2017 EN61000-3-2:2014 EN61000-3-3:2013
FCC	FCC Part 15, Subpart B ANSI C63.4-2014

## References

1. QSFP28 MSA
2. SFF-8436 QSFP+
3. IEEE802.3cu 100GBASE-LR1
4. 100G Lambda MSA **100G ER1-30**

## Ordering Information

Part Number	Product Description
<b>GSD-SPO101-ES1CZ</b>	SFP56-DD ER1-30, 106.25Gb/s, 30km, EML+APD, SMF, Dual LC

### CAUTION:

Use of controls or adjustment or performance of procedures other than those specified herein may result in hazardous radiation exposure.

## Important Notice

Performance figures, data and any illustrative material provided in this data sheet are typical and must be specifically confirmed in writing by Gigalight before they become applicable to any particular order or contract. In accordance with the Gigalight policy of continuous improvement specifications may change without notice.

The publication of information in this data sheet does not imply freedom from patent or other protective rights of Gigalight or others. Further details are available from any Gigalight sales representative.

E-mail: [sales@gigalight.com](mailto:sales@gigalight.com)

Official Site: [www.gigalight.com](http://www.gigalight.com)

## Revision History

Revision	Date	Description
V0	Aug-01-2023	Advance Release.