

12Gbps Video SFP Optical Transceiver, 20km Reach GHP-3112G-L2CD

Features

- ✓ SD/HD/3G/6G/12G-SDI SFP Transceiver
- ✓ ST 259, ST 292-1, ST 424, ST-2081 and ST-2082 compatible
- ✓ Metal enclosure for Lower EMI
- ✓ 1310nm DFB laser transmitter
- ✓ Support pathological patterns for SD-SDI, HD-SDI, 3G-SDI, 6G-SDI and 12G SDI
- ✓ Compliant with SFF-8472 with duplex LC connector
- ✓ The module's receiver contains reclocker
- ✓ ROHS compliant(lead free)
- ✓ single 3.3V power supply
- ✓ Hot-pluggable SFP footprint
- ✓ Operating case temperature range: 0 to +70° C



Applications

- ✓ Serial Digital Fiber Transmission System for SMPTE ST 259, SMPTE ST 344, SMPTE ST 292-1/2, SMPTE ST 424, SMPTE ST 2081-1 and SMPTE ST 2082-1 Signals
- ✓ UHDTV/HDTV/SDTV Service Interfaces

Description

Gigalight's Video transceiver is designed to transmit/receive data rates from 50Mbps to 11.88Gbps , compliant with SMPTE ST 2082-1 (12G UHD-SDI), ST 2081-1 (6G UHD-SDI), ST424 (3G SDI), ST 292-1 (HD-SDI), and ST 259 (SD-SDI). Gigalight's Video transceiver supports SDI pathological patterns signals.

The transceiver includes these sections: a DFB laser, a PIN photodiode integrated with a trans-impedance preamplifier (TIA) ,Reclocker ,and a MCU controller. The transceiver is compatible with SFP Multi-Source Agreement (MSA) .

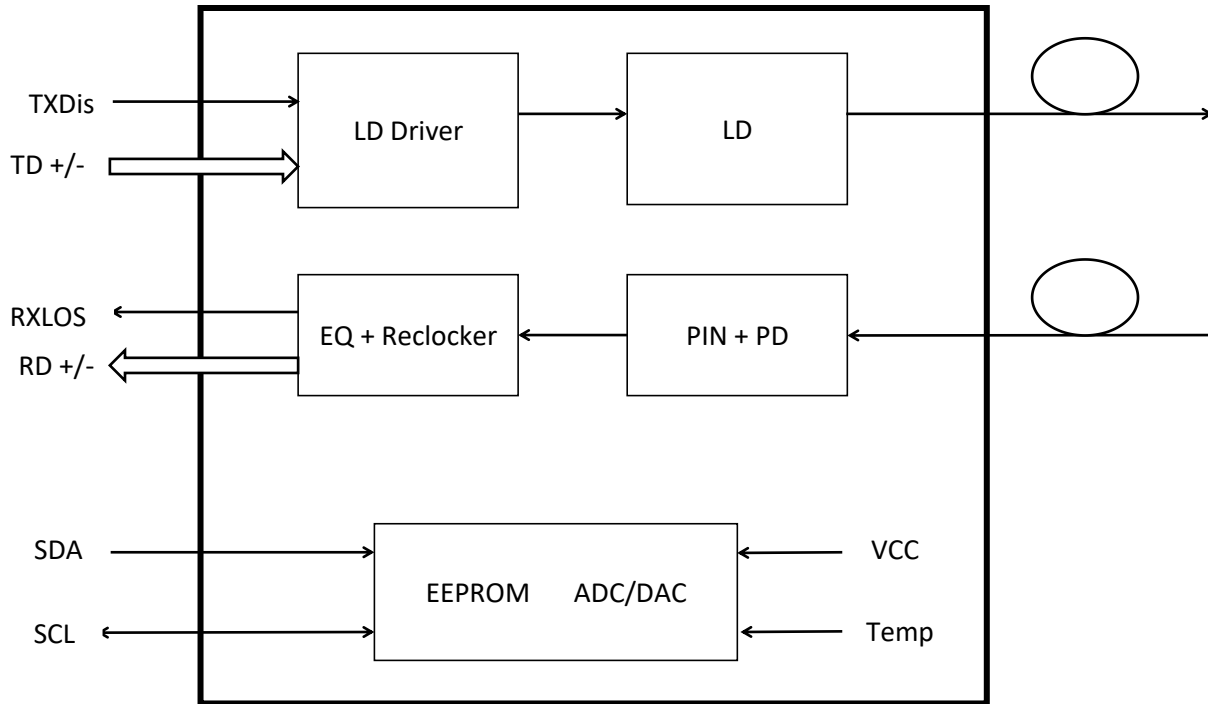


Figure 1. Module Block Diagram

Absolute Maximum Ratings

Parameter	Symbol	Min	Max	Unit
Supply Voltage	V_{cc}	-0.5	4	V
Storage Temperature	T_s	-40	+85	°C
Operating Humidity	-	5	85	%

Recommended Operating Conditions

Parameter	Symbol	Min	Typical	Max	Unit
Operating Case Temperature	T_c	0		+70	°C
Power Supply Voltage	V_{cc}	3.13	3.3	3.47	V
Power Supply Current	I_{cc}		300	450	mA
Data Rate			12		Gbps

Optical and Electrical Characteristics

Parameter	Symbol	Min	Typical	Max	Unit	Notes
Transmitter						
Center Wavelength	λ_c	1300	1310	1320	nm	
Spectral Width (-20dB)	σ			1	nm	
Side Mode Suppression Ratio	SMSR	30			dB	
Average Output Power	P_{out}	-3		1	dBm	1
Extinction Ratio	ER	3.5			dB	
Data Input Swing Differential	V_{IN}	400		1000	mV	2

Input Differential Impedance		Z _{IN}	90	100	110	Ω		
Rise/Fall Time (20%~80%)	SD-SDI	tr/tf			1500	ps	3	
	HD-SDI				270			
	3G-SDI				135			
	6G-SDI				80			
	12G-SDI				45			
Output Jitter	Timing Jitter	SD-SDI			0.2	UI	4	
		HD-SDI			1			
		3G-SDI			2			
		6G-SDI			4			
		12G-SDI			8			
	Alignment Jitter	SD-SDI						0.2
		HD-SDI						0.2
		3G-SDI						0.3
		6G-SDI						0.3
		12G-SDI						0.3
TX Disable	Disable		2.0		V _{cc}	V		
	Enable		0		0.8	V		
TX Fault	Fault		2.0		V _{cc}	V		
	Normal		0		0.8	V		
Receiver								
Center Wavelength	λ _c	1260			1580	nm		
Receiver Sensitivity@ 11.88Gbps					-11	dBm	5	
Receiver Sensitivity@ 5.94Gbps					-13	dBm		
Receiver Sensitivity@ 2.97Gbps					-15	dBm		
Receiver Overload		1				dBm	6	
LOS De-Assert	LOS _D				-18	dBm		
LOS Assert	LOS _A	-28				dBm		
LOS Hysteresis	LOS _H	1			4	dB		
Data Output Swing Differential	V _{out}	400	800		800	mV	3	
LOS	High	2.0			V _{cc}	V		
	Low				0.8	V		

Note:

1. The optical power is launched into SMF.
2. PECL input, internally AC-coupled and terminated.
3. Rise and fall times, 20% to 80%, are measured following a fourth-order Bessel-Thompson filter with a bandwidth of 0.75 x clock frequency corresponding to the serial data rate.
4. UI means one period.
5. Measured With Pathological Patterns 11.88Gbps(4096*2160 P60,100% Bars);5.94Gbps (4096*2160 P29.97,100% Bars);2.97Gbps (2048*1080 P50,100% Bars).
6. Internally AC-coupled, minimum input overload power for SMPTE ST 2081-1, SMPTE ST 2082-1.

Timing and Electrical

Parameter	Symbol	Min	Typical	Max	Unit
Tx Disable Negate Time	t _{on}			1	ms
Tx Disable Assert Time	t _{off}			10	μs
Time To Initialize, including Reset of Tx Fault	t _{init}			300	ms
Tx Fault Assert Time	t _{fault}			100	μs
Tx Disable To Reset	t _{reset}	10			μs
LOS Assert Time	t _{loss_on}			100	μs
LOS De-assert Time	t _{loss_off}			100	μs
Serial ID Clock Rate	f _{serial_clock}		100		KHz
MOD_DEF (0:2)-High	V _H	2		V _{cc}	V
MOD_DEF (0:2)-Low	V _L			0.8	V

Diagnostics Specification

Parameter	Range	Unit	Accuracy	Calibration
Tx Disable Negate Time	0 to +70	°C	±3°C	Internal / External
Voltage	3.0 to 3.6	V	±3%	Internal / External
Bias Current	0 to 100	mA	±10%	Internal / External
TX Power	-3to +1	dBm	±3dB	Internal / External
RX Power	-24to +1	dBm	±3dB	Internal / External

I2C Bus Interface

The I2C bus interface uses the 2-wire serial CMOS E2PROM protocol. The serial interface meets the following specifications:

- 1.Support a maximum clock rate of 280Khz.
2. Input/Output levels comply with LVCMOS/LVTTL or compatible logics.

Low: 0 – 0.8 V

High: 2.0 – 3.3 V

Undefined: 0.8 – 2.0 V

Pin Description

Pin	Signal Name	Description	Plug Seq.	Notes
1	VEET	Transmitter Ground	1	
2	VEET	Transmitter Ground	3	
3	NC	Not Connected	3	
4	VEET	Transmitter Ground	3	
5	SCL	SCL Serial Clock Signal	3	Note 1
6	SDA	SDA Serial Data Signal	3	Note 1
7	VEER	Receiver ground	3	
8	LOS	Loss of Signal	3	Note 2
9	NC	Not Connected	1	

10	NC	Not Connected	1	
11	VEER	Receiver ground	1	
12	RD-	Inv. Received Data Out	3	Note 3
13	RD+	Received Data Out	3	Note 3
14	VEER	Receiver ground	1	
15	VCCR	Receiver Power Supply	2	
16	VCCT	Transmitter Power Supply	2	
17	VEET	Transmitter Ground	1	
18	TD+	Transmit Data In	3	Note 4
19	TD-	Inv. Transmit Data In	3	Note 4
20	TX_DIS	Transmitter Disable	1	Note 5

Note:

Plug Seq.: Pin engagement sequence during hot plugging.

1. SCL,SDA. They should be pulled up with a 4.7k~10kΩ resistor on the host board to a voltage between 3.15V and 3.6V.

2. LOS is an open collector output, which should be pulled up with a 4.7k~10kΩ resistor on the host board to a voltage between 3.15V and 3.6V. Logic 1 indicates loss of signal; Logic 0 indicates normal operation. In the low state, the output will be pulled to less than 0.8V.

3. RD-/+: These are the differential receiver outputs. They are internally AC-coupled 100 differential lines which should be terminated with 100Ω (differential) on the host board.

4. TD-/+: These are the differential transmitter inputs. They are internally AC-coupled, differential lines with 100Ω differential termination inside the module.

5. TX_DIS is an input pin that is used to shut down the transmitter optical output. It is pulled up within the module with a 4.7k~10kΩ resistor. Its states are:

Low (0 ~0.8V):	Transmitter on
(0.8V ~ 2.0V):	Undefined
High (2.0 ~3.465V):	Transmitter Disabled
Open:	Transmitter Disabled

Pin Definition

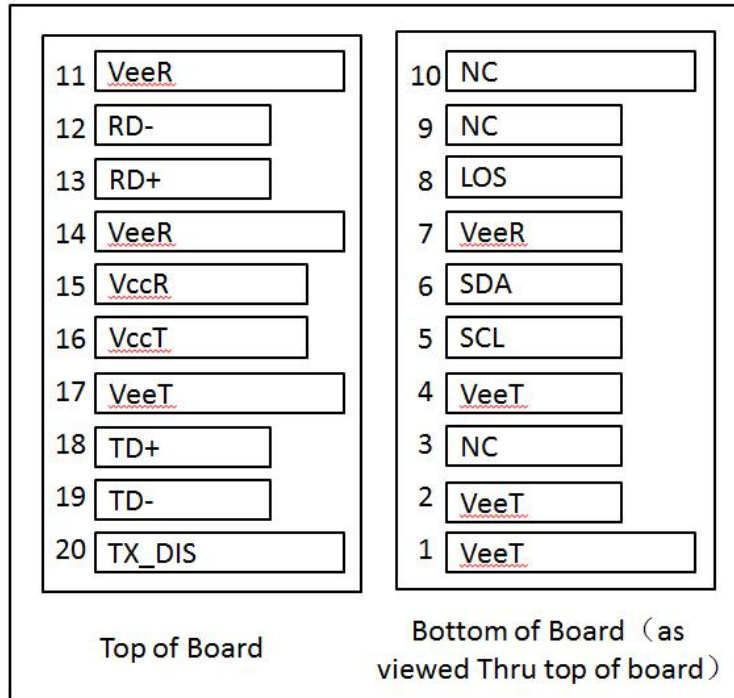


Figure 2. Electrical Pin-out Details

Mechanical Dimensions

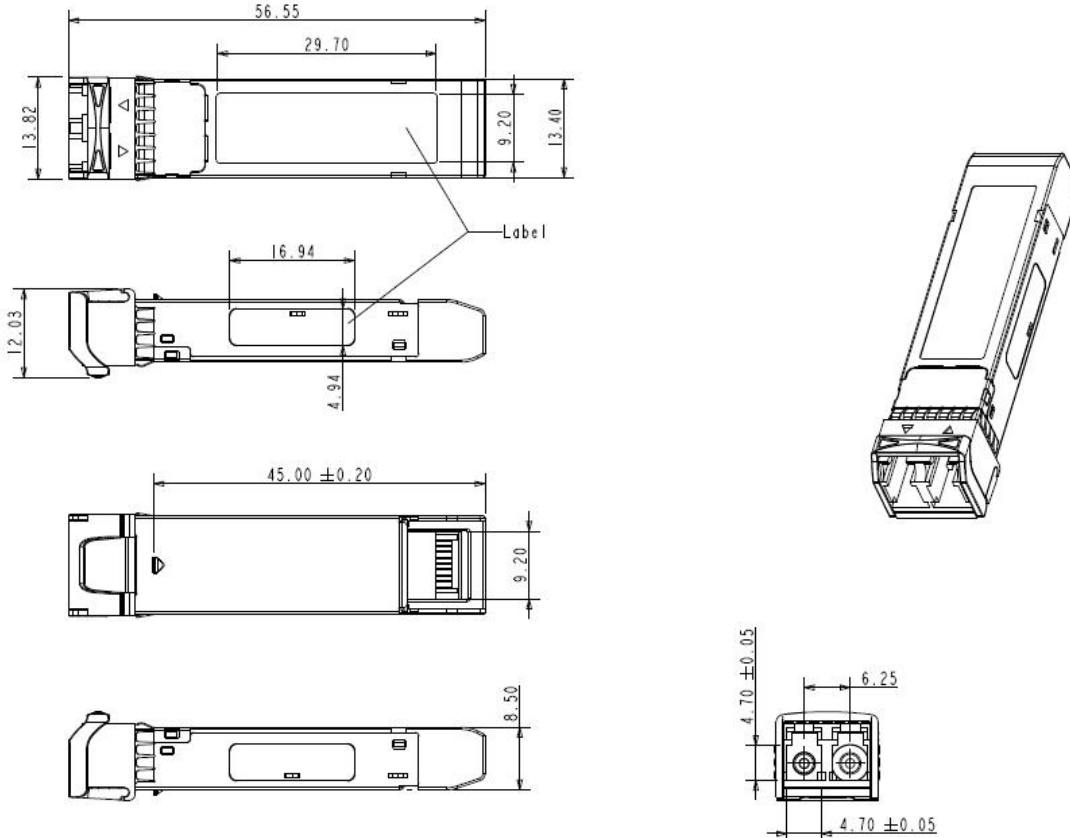


Figure 3. Mechanical Specifications

Regulatory Compliance

Feature	Standard
Laser Safety	IEC 60825-1:2014 (Third Edition)
Environmental protection	2011/65/EU
CE EMC	EN55032: 2015 EN55035: 2017 EN61000-3-2:2014 EN61000-3-3:2013
FCC	FCC Part 15, Subpart B; ANSI C63.4-2014
Product Safety	EN/UL 60950-1, 2nd Edition, 2014-10-14

CAUTION:

Use of controls or adjustment or performance of procedures other than those specified herein may result in hazardous radiation exposure.

Ordering Information

Part Number	Product Description
GHP-3112G-L2CD	1310nm, 12Gbps, 10/20km,SD/HD/3G/6G/12G SDI Transceiver, NON-MSA

Important Notice

Performance figures, data and any illustrative material provided in this data sheet are typical and must be specifically confirmed in writing by Gigalight before they become applicable to any particular order or contract. In accordance with the Gigalight policy of continuous improvement specifications may change without notice.

The publication of information in this data sheet does not imply freedom from patent or other protective rights of Gigalight or others. Further details are available from any Gigalight sales representative.

E-mail: sales@gigalight.com
Official Site: www.gigalight.com

Revision History

Revision	Date	Description
V0	Mar-19- 2019	Advance Release.
V1	Oct-14-2019	Modified current and E.R. standards.