

GBP-55315G-L4TI/GBP-31555G-L4TI
SFP Bi-Directional Transceiver for CPRI&OBSAI
TX 1550/1310nm /RX1310/1550 nm, 40km

Features

- ◆ Supports 4.9Gb/s data rates
- ◆ Simplex LC Connector Bi-Directional SFP Optical Transceiver
- ◆ Single 3.3V Supply
- ◆ Up to 40km on 9/125um SMF
- ◆ A:1550nm DFB Laser transmitter,1310nm PIN receiver
- ◆ B:1310nm DFB Laser transmitter,1550nm PIN receiver
- ◆ Gigabit Ethernet compatible
- ◆ SFP MSA SFF-8074i Compliant
- ◆ Digital Diagnostic SFF-8472 Compliant
- ◆ Digital Diagnostic Monitoring: Internal Calibration or External Calibration
- ◆ RoHS compliant and Lead Free
- ◆ Operating case temperature:
Commercial: -40 ~ +85 °C

Applications

- ◆ Multi-Rate 2.4576Gbps/3.0720Gbps/4.9142Gbps for CPRI
- ◆ Other Optical Links

Description

The GBP-55315G-L4TI and GBP-31555G-L4TI series single mode transceiver is small form factor pluggable module for Bi-directional optical data communications, such as OBSAI and CPRI optical links. It is with the SFP 20-pin connector to allow hot plug capability.

The transceiver is designed to transmit/receive data rates from 2.4576Gbps to 4.9142Gbps. The transceiver consists of three sections: a BOSA , including a DFB laser transmitter and a PIN photodiode integrated with a trans-impedance preamplifier (TIA);Transceiver IC, consisting of LD Driver and Post-Amplifier; and MCU control unit. All modules satisfy class I laser safety requirements.

The transceivers are compatible with SFP Multi-Source Agreement (MSA) and SFF-8472. For further information, please refer to SFP MSA.

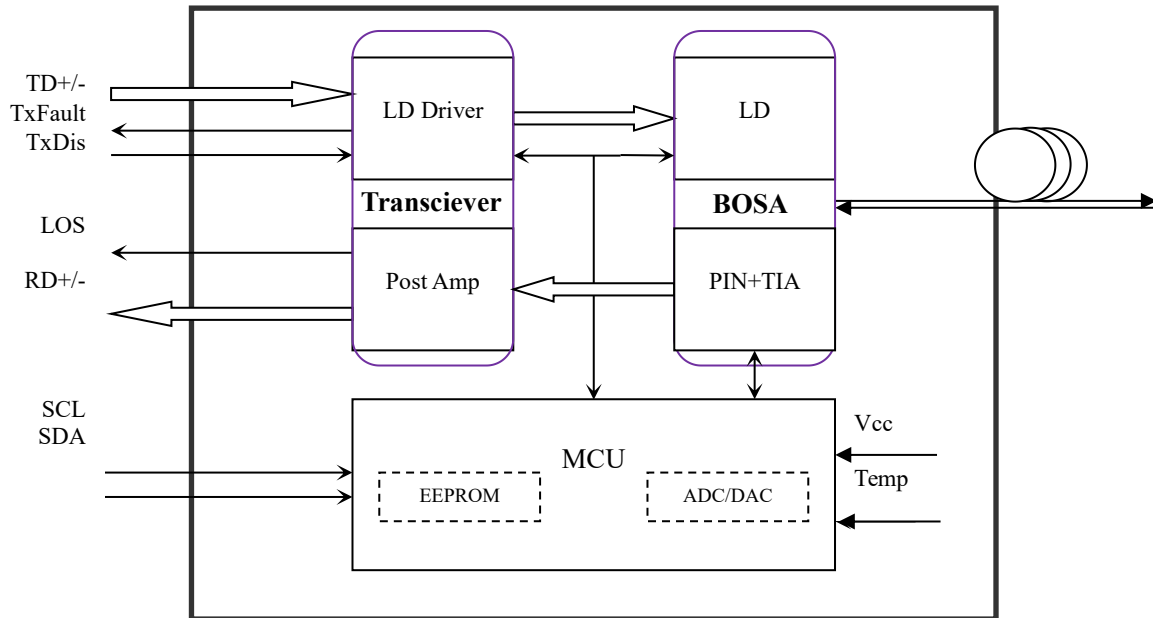


Figure1.Principle diagram of SFP Module

Absolute Maximum Ratings

Parameter	Symbol	Min	Max	Unit
Supply Voltage	Vcc	-0.5	4.5	V
Storage Temperature	Ts	-40	+85	°C
Operating Humidity	-	5	85	%

Recommended Operating Conditions

Parameter	Symbol	Min	Typical	Max	Unit
Power Supply Voltage	Vcc	3.13	3.3	3.47	V
Power Supply Current	Icc			400	mA
Operating Case Temperature	Tc	-40		+85	°C
Data Rate			4.25	4.9	Gbps

Notes:

[1] Supply current is shared between VCCTX and VCCR. X.

[2] In-rush is defined as current level above steady state current requirements.

Electrical Characteristics(T_{OP}=25°C, V_{CC}=3.3 Volts)

Parameter	Symbol	Min	Typical	Max	Unit	Notes
Supply Voltage	V _{CC}	3.00	3.30	3.60	V	1
Supply Current	I _{CC}			400	mA	1
Transmitter						
Input Differential Impedance	R _{in}	90	100	110	Ω	3
Single-ended Data Input Swing	V _{in,pp}	150		1200	mV _{pp}	2
Transmit Disable Voltage	V _D	2		V _{CC} +0.3	V	
Transmit Enable Voltage	V _{EN}	V _{ee}		V _{ee} +0.8	V	
TX Fault	Fault	V _{Fault}	2.0		V _{CC}	V
	Normal	V _{Normal,Fault}	V _{ee}		V _{ee} +0.4	V
Receiver						
Output Differential Impedance	R _{out}	90	100	110	Ω	3
Single-ended Data Output Swing	V _{out,pp}	300		700	mV _{pp}	2
LOS Fault	V _{LOS,fault}	2		V _{CC}	V	4
LOS Normal	V _{LOS,norm}	V _{ee}		V _{ee} +0.8	V	4

Notes:

1. Module power consumption never exceeds 1.1W.
2. AC coupled.
3. 100 ohm differential termination.
4. LOS is LVTTTL. Logic 0 indicates normal operation; logic 1 indicates no signal detected.

Optical Characteristics(T_{OP}=25°C, V_{CC}=3.3 Volts)

(GBP-55315G-L4TI,1550nm DFB&PIN/TIA)

Parameter	Symbol	Min	Typical	Max	Unit	Notes
Transmitter						
Centre Wavelength	λ _c	1540	1550	1560	nm	
Side Mode Suppression Ratio	SMSR	30			dB	
Spectral Width (-20dB)	σ			1	nm	
Average Output Power	P _{out}	-1		3	dBm	10km
Extinction Ratio	ER	4			dB	
Transmitter and Dispersion Penalty	TDP			2	dB	
Average Power of OFF Transmitter	P _{Disable}			-30	dBm	
Relative Intensity Noise	RIN			-128	dB/Hz	

Receiver						
Centre Wavelength	λ_c	1300		1320	nm	
Average Receiver Power	$P_{\text{sensitivity}}$			-15	dBm	1,2
Receiver Overload	P_{MAX}			+0.5	dBm	
LOS De-Assert	LOS_D			-15	dBm	
LOS Assert	LOS_A	-28			dBm	
LOS Hysteresis		1		5	dB	

Notes:

1. Average Receiver Power (Min) is informative and not the principal indicator of signal strength. A received power below this value cannot be compliant.
2. Measured with a PRBS2³¹-1 test pattern @10.3125Gbps, BER $\leq 10^{-12}$.
3. Rise and fall times, 20% to 80%, are measured following a fourth-order Bessel-Thompson filter with a bandwidth of 0.75 x clock frequency corresponding to the serial data rate.

(GBP-31555G-L4TI,1310nm DFB&PIN/TIA)

Parameter	Symbol	Min	Typical	Max	Unit	Notes
Transmitter						
Centre Wavelength	λ_c	1300	1310	1320	nm	
Side Mode Suppression Ratio	SMSR	30			dB	
Spectral Width (-20dB)	σ			1	nm	
Average Output Power	P_{out}	-1		3	dBm	1,2
Extinction Ratio	ER	4			dB	
Transmitter and Dispersion Penalty	TDP			2	dB	
Average Power of OFF Transmitter	P_{Disable}			-30	dBm	
Relative Intensity Noise	RIN			-128	dB/Hz	
Receiver						
Centre Wavelength	λ_c	1540		1560	nm	
Average Receiver Power	$P_{\text{sensitivity}}$			-15	dBm	2,3
Receiver Overload	P_{MAX}			+0.5	dBm	
LOS De-Assert	LOS_D			-15	dBm	
LOS Assert	LOS_A	-28			dBm	
LOS Hysteresis		1		5	dB	

Notes:

1. Output is coupled into a 9/125um SMF.
2. Average Receiver Power (Min) is informative and not the principal indicator of signal strength. A received power below this value cannot be compliant.
3. Measured with a PRBS2³¹-1 test pattern @10.3125Gbps, BER $\leq 10^{-12}$.
4. Rise and fall times, 20% to 80%, are measured following a fourth-order Bessel-Thompson filter with a bandwidth of 0.75 x clock frequency corresponding to the serial data rate.



Timing and Electrical

Parameter	Symbol	Min	Typical	Max	Unit
Tx Disable Negate Time	t_on			1	ms
Tx Disable Assert Time	t_off			10	μs
Time To Initialize, including Reset of Tx Fault	t_init			300	ms
Tx Fault Assert Time	t_fault			100	μs
Tx Disable To Reset	t_reset	10			μs
LOS Assert Time	t_loss_on			100	μs
LOS De-assert Time	t_loss_off			100	μs
Serial ID Clock Rate	f_serial_clock			400	KHz
MOD_DEF (0:2)-High	V _H	2		V _{cc}	V
MOD_DEF (0:2)-Low	V _L			0.8	V

Diagnostics Specification

Parameter	Range	Unit	Accuracy	Calibration
Temperature	0 to +70	°C	±3°C	Internal / External
Voltage	3.0 to 3.6	V	±3%	Internal / External
Bias Current	0 to 100	mA	±10%	Internal / External
TX Power	-1 to 3	dBm	±3dB	Internal / External
RX Power	-15 to -3	dBm	±3dB	Internal / External

Pin Definitions

Pin Diagram

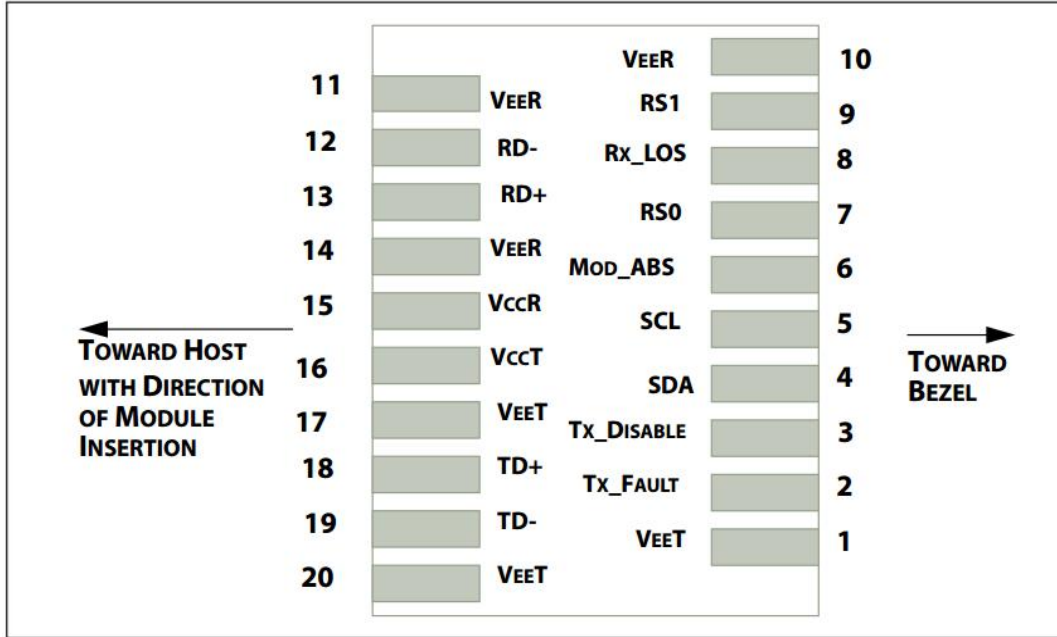


Figure2. Host PCB SFP+ pad assignment top view

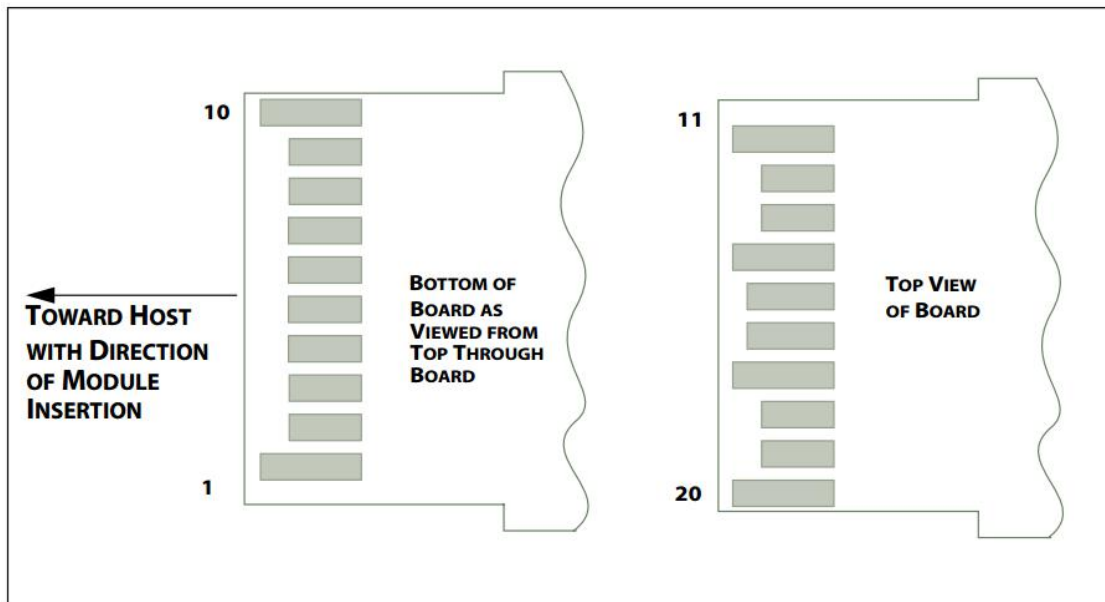


Figure3. SFP+ module contact assignment

Pin Descriptions

Pin	Signal Name	Description	Plug Seq.	Notes
1	VEET	Transmitter Ground	1	Note 1
2	TX_FAULT	Transmitter Fault Indication	3	Note 2
3	TX_DISABLE	Transmitter Disable, Laser output disabled on high or open	3	Note 3
4	SDA	2-wire Serial Interface Data Line, SDA Serial Data Signal	3	Note 2
5	SCL	2-wire Serial Interface Data Line, SCL Serial Clock Signal	3	Note 2
6	MOD_ABS	Module Absent. Grounded within the module	3	Note 4
7	RS0	RS0 for Rate Select: Open or Low = Module supports ≤4.25Gbps High = Module supports 9.95 Gb/s to 10.3125 Gb/s	3	Note 5
8	RX_LOS	Loss of Signal indication. Logic 0 indicates normal operation	3	Note 2
9	RS1	No connection required	1	Note 5
10	VEER	Receiver ground	1	Note 1
11	VEER	Receiver ground	1	Note 1
12	RD-	Receiver Inverted Data out. AC Coupled	3	Note 6
13	RD+	Receiver Data out. AC Coupled	3	Note 6
14	VEER	Receiver ground	1	Note 1
15	VCCR	Receiver Power Supply	2	
16	VCCT	Transmitter Power Supply	2	
17	VEET	Transmitter Ground	1	Note 1
18	TD+	Transmit Data In.AC Coupled	3	Note 7
19	TD-	Transmit Inverted Data In. AC Coupled	3	Note 7
20	VEET	Transmitter Ground	1	Note 1

Notes:

Plug Seq.: Pin engagement sequence during hot plugging.

- 1) Module circuit ground is isolated from module chassis ground within the module.
- 2) TX Fault/RX_LOS is an open collector output, which should be pulled up with a 4.7k~10kΩ resistor on the host board to a voltage between 2.0V and Vcc+0.3V.
Logic 0 indicates normal operation; Logic 1 indicates a laser fault of some kind or loss of signal. In the low state, the output will be pulled to less than 0.8V.SDA/SCL should be pulled up with 4.7k – 10k ohms on host board to a voltage between 3.15V and 3.6V.
- 3) TX Disable is an input that is used to shut down the transmitter optical output. It is pulled up within the module with a 4.7k~10kΩ resistor. Its states are:

Low (0 to 0.8V):	Transmitter on
(>0.8V, < 2.0V):	Undefined
High (2.0 to 3.465V):	Transmitter Disabled
Open:	Transmitter Disabled
- 4) Mod_ABS is connected to VeeT or VeeR in the SFP+ module. The host may pull this contact up to Vcc_Host with a resistor in the range 4.7 kΩ to 10 kΩ.
Mod_ABS is asserted “High” when the SFP+ module is physically absent from a host slot.
- 5) RS0 and RS1 are module inputs and are pulled low to VeeT with > 30 kΩ resistors in the module.

- 6) RD-/+ : These are the differential receiver outputs. They are internally AC-coupled 100 differential lines which should be terminated with 100Ω (differential).
- 7) TD-/+ : These are the differential transmitter inputs. They are internally AC-coupled, differential lines with 100Ω differential termination inside the module.

Recommend Circuits

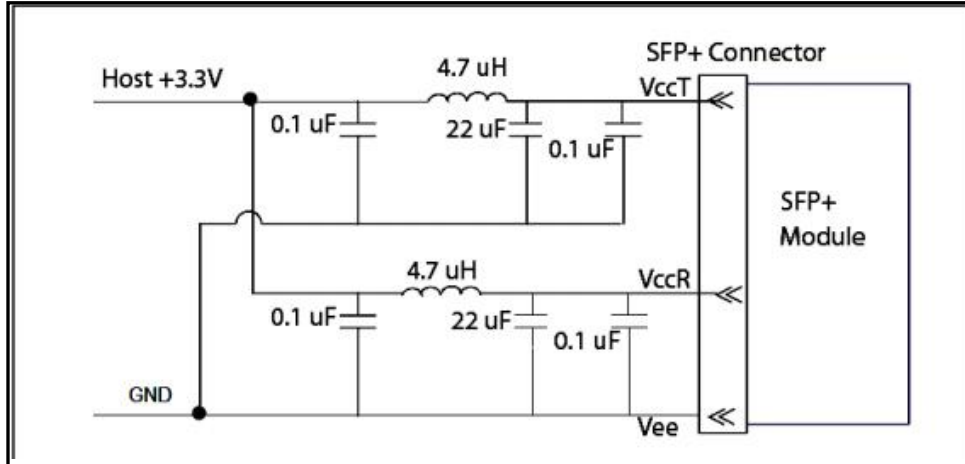


Figure4. Host Board Power Supply Filters Circuit

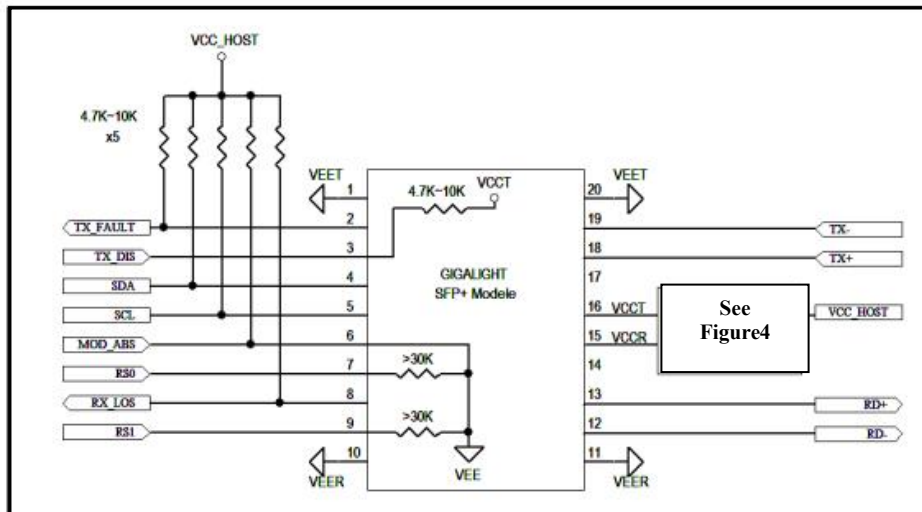


Figure5.Host-Module Interface

Mechanical Dimensions

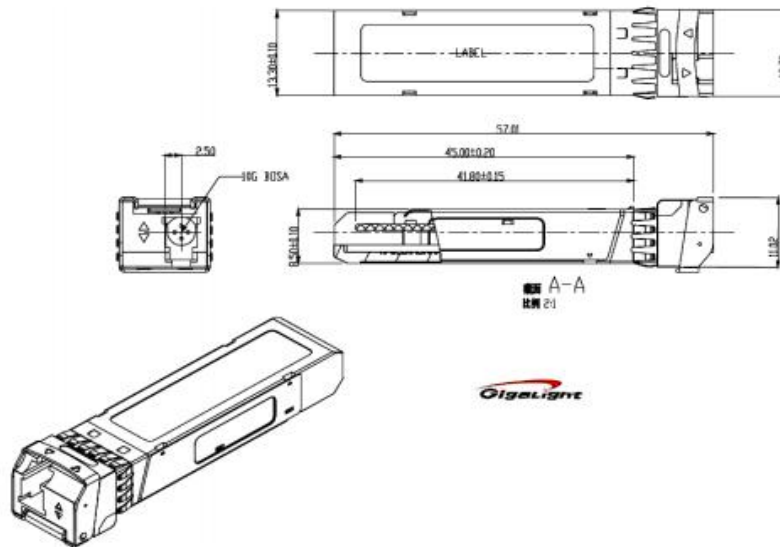


Figure5.Key Mechanical Dimensions

Ordering information

Part Number	Product Description
GBP-55315G-L4TI	1550/1310 nm,4.9Gbps,40km, -40°C ~ +85°C, With Digital Diagnostic Monitoring
GBP-31555G-L4TI	1310/1550 nm,4.9Gbps,40km, -40°C ~ +85°C, With Digital Diagnostic Monitoring

Important Notice

Performance figures, data and any illustrative material provided in this data sheet are typical and must be specifically confirmed in writing by GIGALIGHT before they become applicable to any particular order or contract. In accordance with the GIGALIGHT policy of continuous improvement specifications may change without notice.

The publication of information in this data sheet does not imply freedom from patent or other protective rights of GIGALIGHT or others. Further details are available from any GIGALIGHT sales representative.

Contact:

E-mail:sales@gigalight.com

Web:<http://www.gigalight.com>