

---

## 5G-Mux10\_6CH

### 1. Description

Gigalight's 100GHz/200GHz DWDM is based on TFF platform. This DWDM features ultra low loss and super thermal stability, and unparalleled reliability. The module features up to 4 or 8/16 low dispersion channels, thereby enabling it to be a high capacity, low cost solution for DWDM system or WDM PON network applications. Easily customizable, Gigalight's DWDM module can be configured from a standard list of packaging and connector options.

### 2. Features

- ◆ Low Insertion Loss
- ◆ High Isolation
- ◆ Low PDL
- ◆ Compact Design
- ◆ Good channel-to-channel uniformity
- ◆ Wide Operating Wavelength: From 1260nm to 1620nm
- ◆ Wide Operating Temperature: From -30°C to 85°C
- ◆ High Reliability and Stability

### 3. Applications

- ◆ 5G Fronthaul
- ◆ WDM System
- ◆ PON Networks
- ◆ CATV Links

### 4. Compliance

- ◆ Telcordia GR-1209-CORE
- ◆ Telcordia GR-1221-CORE

◆ RoHS

## 5. Specifications

Parameters		Unit			5G_MUX10_6CH			
					COT		RT	
Central Wavelength		nm			C26~C37			
Pass band		nm Min	First Wavelength	Final Wavelength	0.22			
					Module	Component Range	Module	Component Range
Insertion Loss	CH 26	dB Max	1556.44	1556.66	2.7	0.7	1.8	0.6
	CH 27	dB Max	1555.64	1555.86	2.7	0.7	1.8	0.6
	CH 28	dB Max	1554.83	1555.05	2.5	0.6	2.0	0.6
	CH 29	dB Max	1554.02	1554.24	2.3	0.6	2.2	0.6
	CH 30	dB Max	1553.22	1553.44	2.1	0.6	2.4	0.7
	CH 31	dB Max	1552.41	1552.63	2.0	0.6	2.5	0.7
	CH 32	dB Max	1551.61	1551.83	2.5	0.7	2.0	0.6
	CH 33	dB Max	1550.81	1551.03	2.4	0.7	2.1	0.6
	CH 34	dB	1550.01	1550.23	2.2	0.6	2.3	0.6

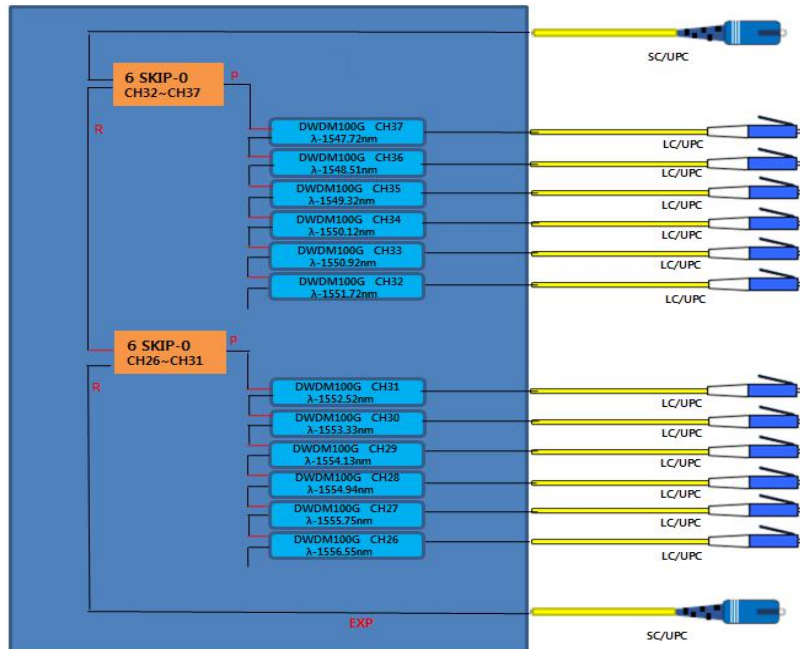
		Max						
	CH 35	dB Max	1549.21	1549.43	2.0	0.6	2.5	0.6
	CH 36	dB Max	1548.40	1548.62	1.8	0.6	2.7	0.7
	CH 37	dB Max	1547.61	1547.83	1.8	0.6	2.7	0.7
	EXP	dB Max	1262.5~1547 .03	1557.25~161 7.5	0.9		0.9	
Link Insertion Loss	Channel Port	dB Max			4.7 (4.5)			
	EXP Port	dB Max			2.0 (1.8)			
Adjacent Channel Isolation		dB Min			25			
Non-Adjacent Channel Isolation		dB Min			35			
EXP Channel Isolation		dB Min			10			
Return Loss		dB Min			50			
Directivity		dB Max			50			
Operating Temperature		°C			-30~85			
Connector Type		/			COM&EXP: SC/UPC; Other: LC/UPC		COM&EXP: SC/APC; Other: LC/APC	

Notes

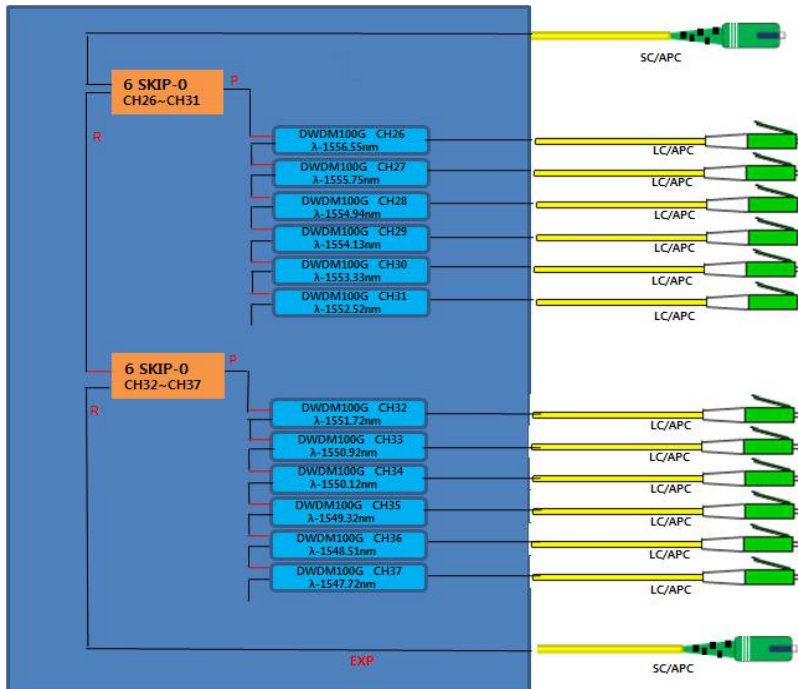
1)The above specification parameter is the final index of product, including the insertion loss of the connector;

## 6. Structure Diagram

COT:



RT:



## 8. Ordering information

- 1) 5G\_MUX10\_6CH-COT, the corresponding material number of Gigalight: 889207176,  
PN : 5G MUX10\_6CH COT Module, GWM-12X426XXB07-3X
- 2) 5G\_MUX10\_6CH-RT, the corresponding material number of Gigalight: 889207177,  
PN : 5G MUX10\_6CH RT Module, GWM-12X326XXB07-4X

E-mail: [sales@gigalight.com.cn](mailto:sales@gigalight.com.cn)

Web: <http://www.gigalight.com.cn>