

# USB 3.0 Active Optical Cables

## G-USBAOC-3-xxxC

### Features

- Extends USB 3.0 super speed devices up to 100m over fiber optics(MMF OM2)
- Supports self-powered USB 3.0 compliant device
- Up to 5Gbps data rate
- 850nm VCSEL transmitter and PIN photo-detector receiver
- Operates with USB 3.0 super speed hot controllers
- Supports all major operating systems including Windows, Mac OS, and Linux
- Number of devices can be increased using additional hubs
- Low power consumption
- Operating case temperature: 0 to 70°C
- All-metal housing for superior EMI performance
- RoHS compliant (lead free)



### Applications

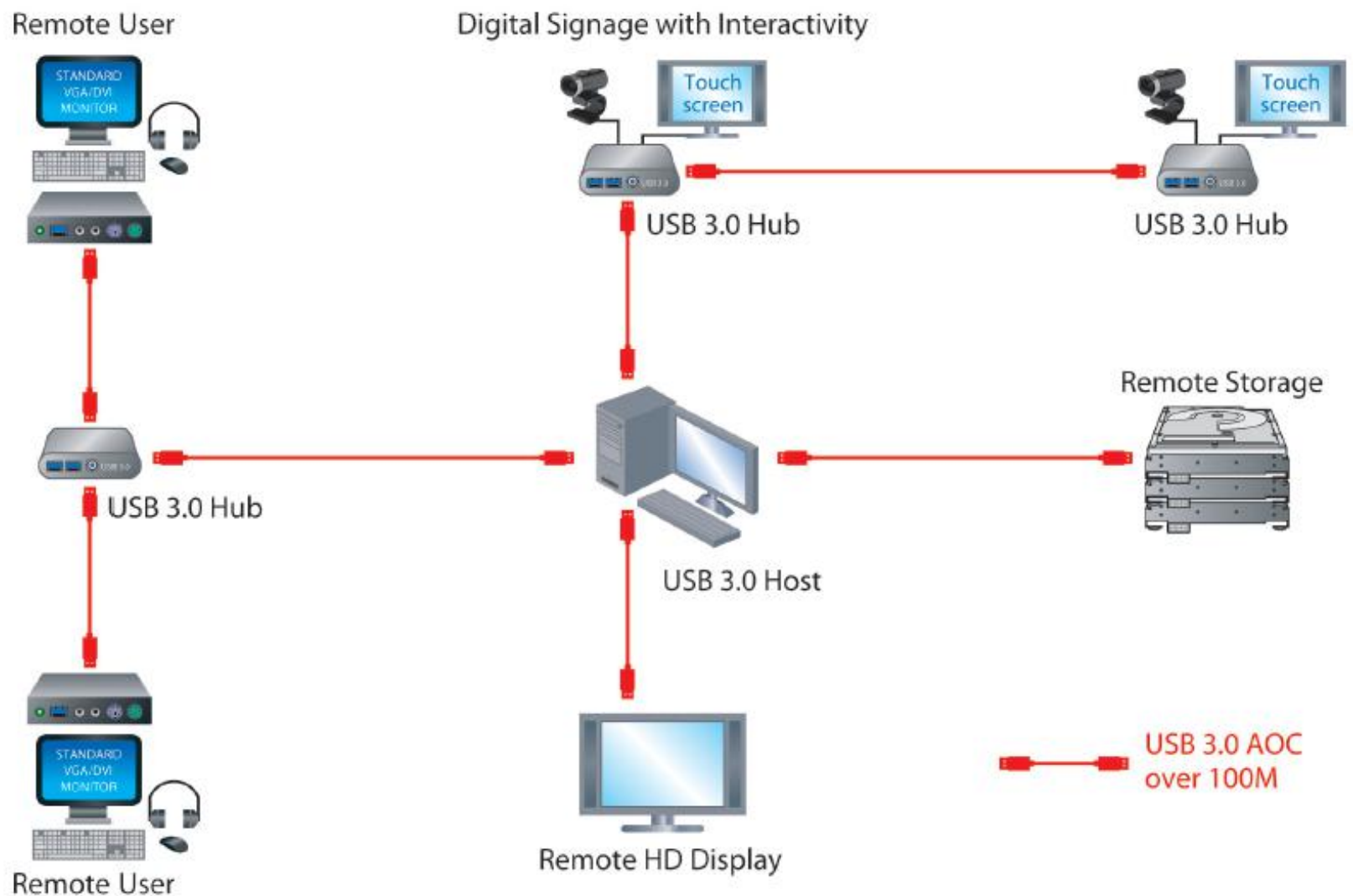
- Industrial Control
- Digital Signage
- Home Network Integration
- Medical Device Connectivity
- KVM Extension
- Remote Desktop USB 3.0 Connections
- Security: web camera, access control
- USB 3.0 Devices Sharing: print, scan, storage

### Description

The Gigalight USB 3.0 AOC is consisted of two USB3.0 Type-A connectors and multimode optical fiber, and each end has IC/VCSEL/PD, to complete the OE & EO conversion.

### Notes:

1. The fiber part of USB 3.0 AOC does not carry power, so upstream connector should be powered by Host side, and Gigalight Optical Active Cables do not provide or transmit power to devices.
2. Host side should be USB 3.0 compatible computer\* (host computer) with a USB 3.0 compliant operating system. \* USB 3.0 AOC will not function when connected to USB 2.0 or USB 1.1 Host.



O/E module integrated active optical cable for high speed data link >100M @5Gbps

## Specifications

Parameter	Description
Protocols Supported	Universal Serial Bus 3.0 Specification
Data Rate	5.0Gbps
BER	<10 <sup>-12</sup>
Operating Case Temperature	0 to + 70°C
Storage Temperature	-20 to + 85°C
Supply Voltage	5.0V
Supply current	Max. 80mA per end typical
Minimum Bend Radius	30mm
Maximum Bearing Tension	40N

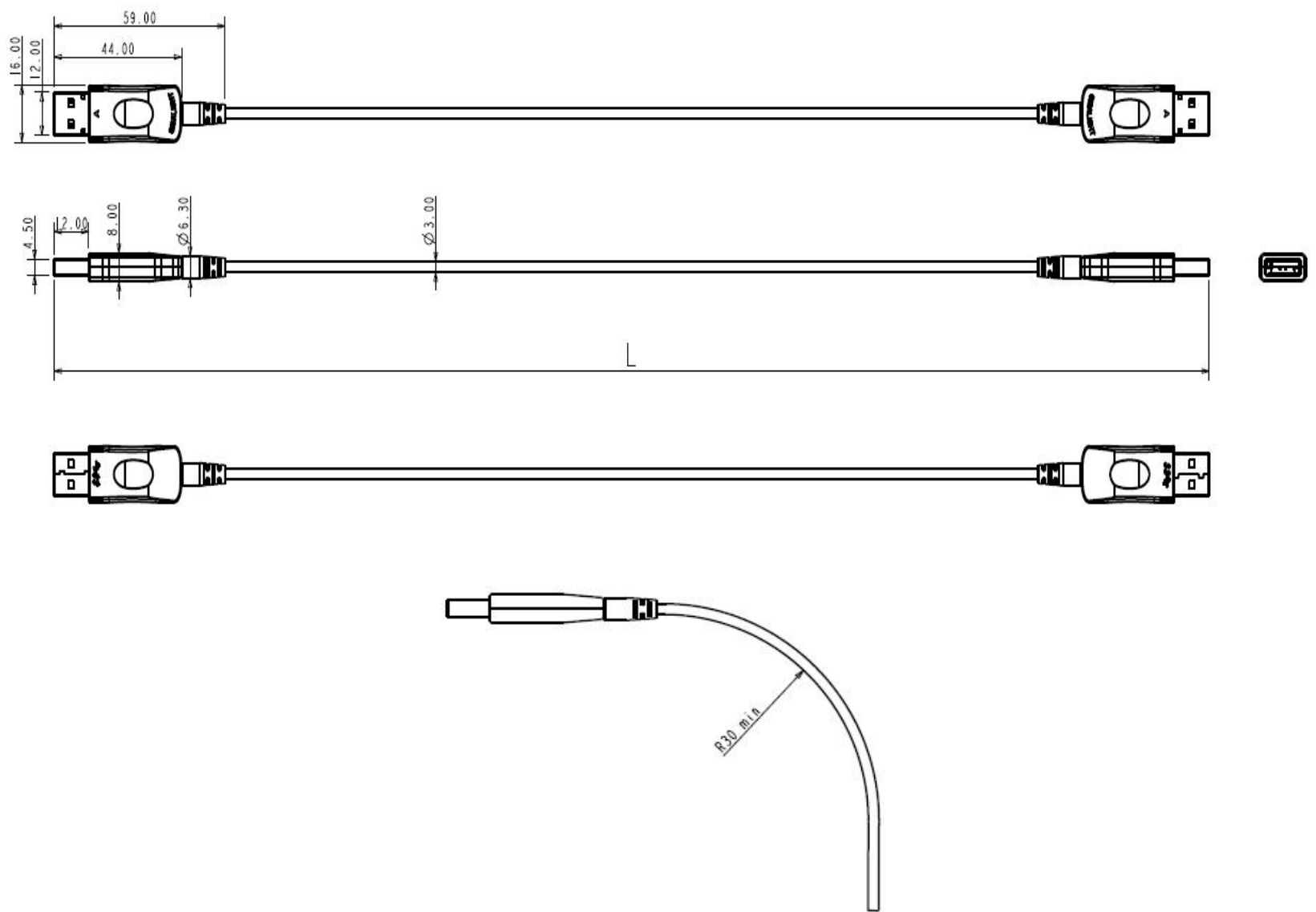


Figure 1. Mechanical Specifications

## Ordering information

Part Number	Product Description
G-USBAOC-3-001C	1 meter USB 3.0 Active Optical Cable
G-USBAOC-3-002C	2 meter USB 3.0 Active Optical Cable
G-USBAOC-3-003C	3 meter USB 3.0 Active Optical Cable
G-USBAOC-3-005C	5 meter USB 3.0 Active Optical Cable
G-USBAOC-3-007C	7 meter USB 3.0 Active Optical Cable
G-USBAOC-3-010C	10 meter USB 3.0 Active Optical Cable
...	...
G-USBAOC-3-100C	100 meter USB 3.0 Active Optical Cable