

Coarse Wavelength Division Multiplexing Optical Add/Drop Multiplexer (CWDM OADM)

Features

- ✓ Low Insertion Loss (IL)
- ✓ High isolation
- ✓ Low Polarization Dependent Loss (PDL)
- ✓ Available in 1 to 8 channels with compact design
- ✓ Wide operating wavelength range
- ✓ High reliability and high stability
- ✓ Telcordia GR-1209-CORE-2001 compliant
- ✓ Telcordia GR-1221-CORE-1999 compliant
- ✓ ITU-T G.694.2 compliant
- ✓ RoHS-6 compliant (lead free)



Applications

- ✓ CWDM Networks

Description

The Gigalight Coarse Wavelength Division Multiplexing Optical Add/Drop Multiplexer (CWDM OADM) is designed for multi-wavelength CWDM network applications. It is based on the Thin Film Filter (TFF) technology and operates at 20nm channel spacing ITU Grid CWDM wavelengths from 1270nm to 1610nm. Gigalight provides a series of customized CWDM OADM within plastic ABS box, metal LGX box, or rack mount to meet different requirements on Port Configuration, Operating Wavelength, Package Type, Fiber Type, Fiber Length, Input Connector, Add/Drop Connector, and Output Connector.

Specifications

Parameters	Channel Options							
	1CH	2CH	3CH	4CH	5CH	6CH	7CH	8CH
Port Configuration	1CH	2CH	3CH	4CH	5CH	6CH	7CH	8CH
Center Wavelength (nm)	1270 to 1610							
Operating Wavelength (nm)	1260 to 1620							
Channel Space (nm)	20							
Pass Band (nm)	ITU±6.5							
Add/Drop Channel IL (dB)	< 1.2	< 1.6	< 1.8	< 2.0	< 2.2	< 2.4	< 2.8	< 3.2
Input/Output Channel IL (dB)	< 1.0	< 1.6	< 1.8	< 2.2	< 3.2	< 3.4	< 3.8	< 4.0
Adjacent Channels Isolation (dB)	≥ 30							
Non-Adjacent Isolation (dB)	≥ 40							
Directivity (dB)	> 50							
Return Loss (dB)	> 45							
Ripple (dB)	< 0.5							
PDL (dB)	< 0.2							
PMD (ps)	< 0.1							
Maximum Optical Power (mw)	300							

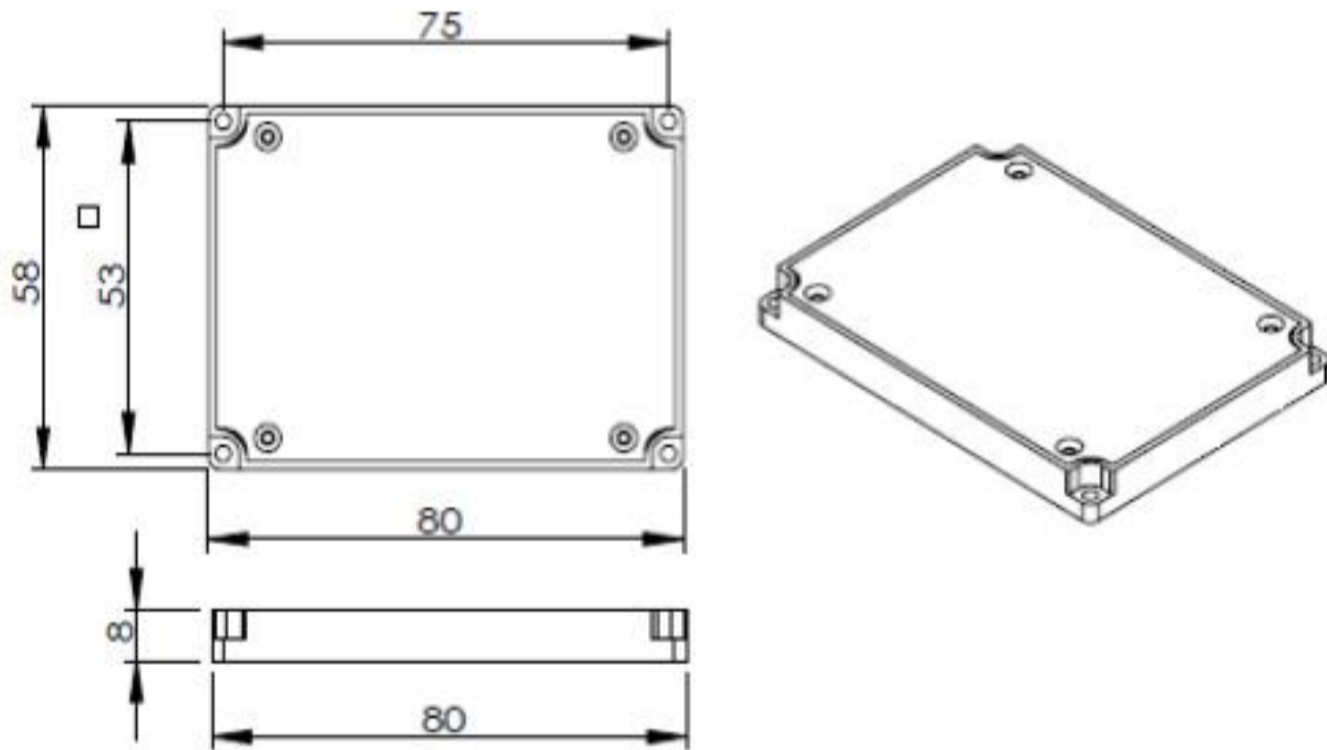
Operating Temperature (°C)	-5 to +75
Storage Temperature (°C)	-40 to +85
Package (mm) (L×W×H)	ABS Box: 80×58×8, 100×80×10, 120×80×18, 140×115×18 LGX Box: standard, 2 in 1, 4 in 1 19-inch 1U Rack Mount: standard

Notes:

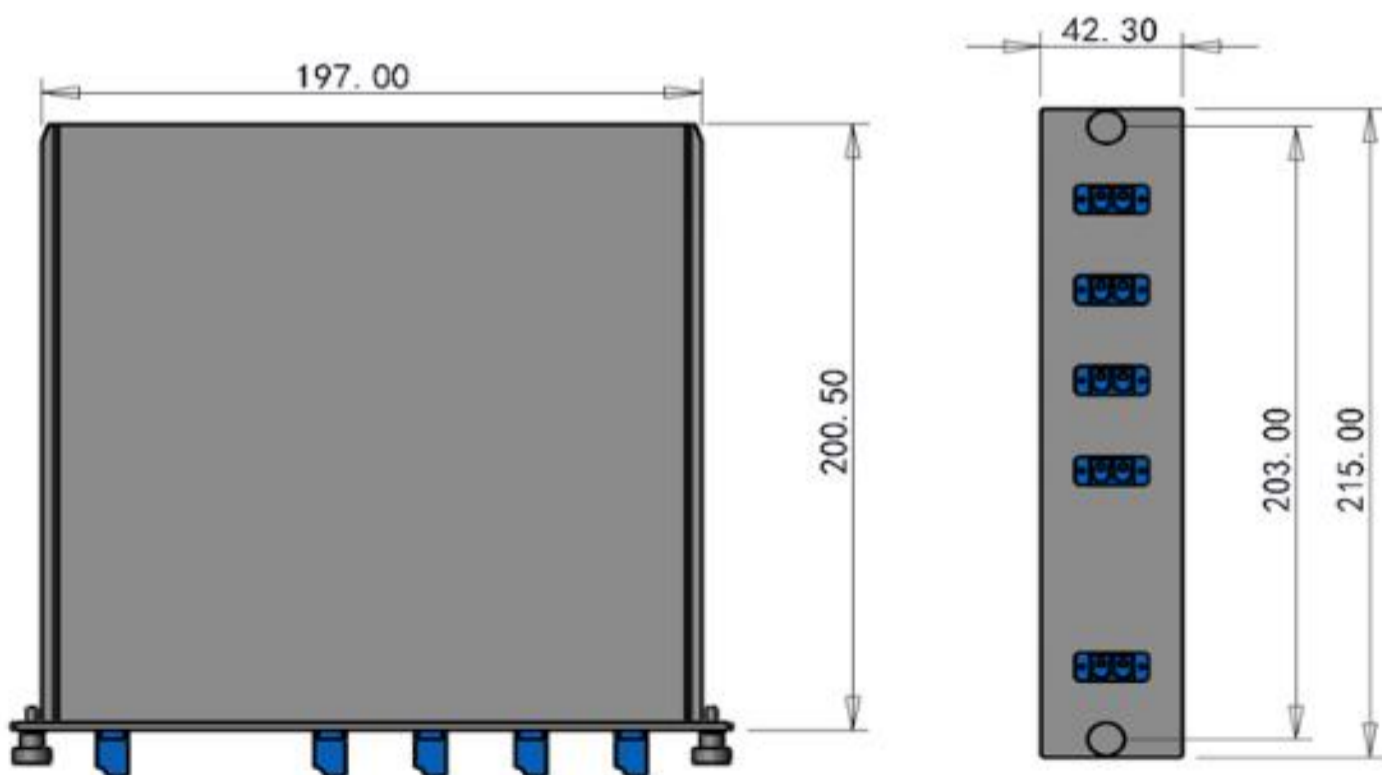
1. All specifications are based on the devices with connectors, and guaranteed over wavelength and temperature.
2. Fiber type is G657A.
3. An additional 0.3dB loss ought to be added per adapter for LGX box and rack mount.

Mechanical Dimensions

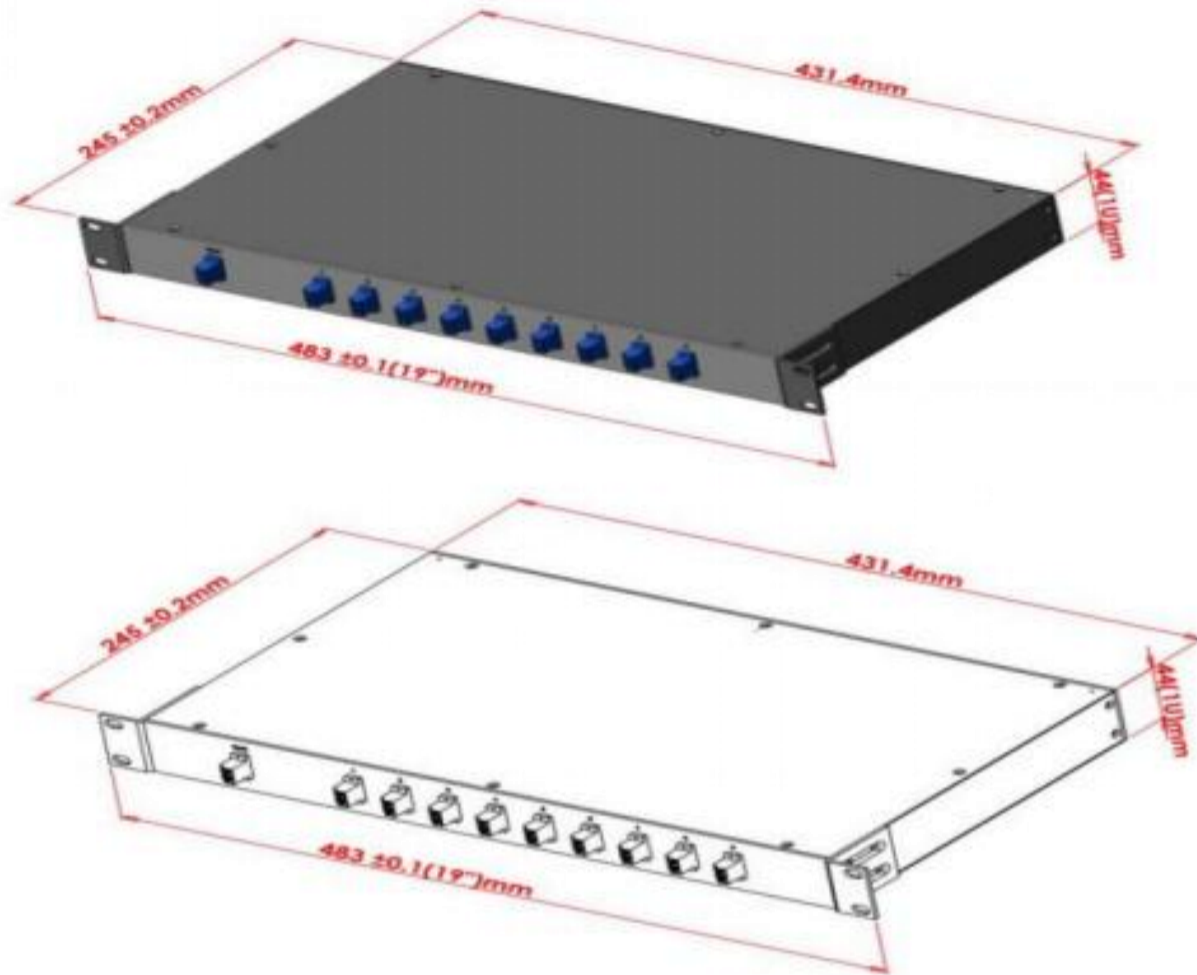
ABS Box (PX: 80×58×8):



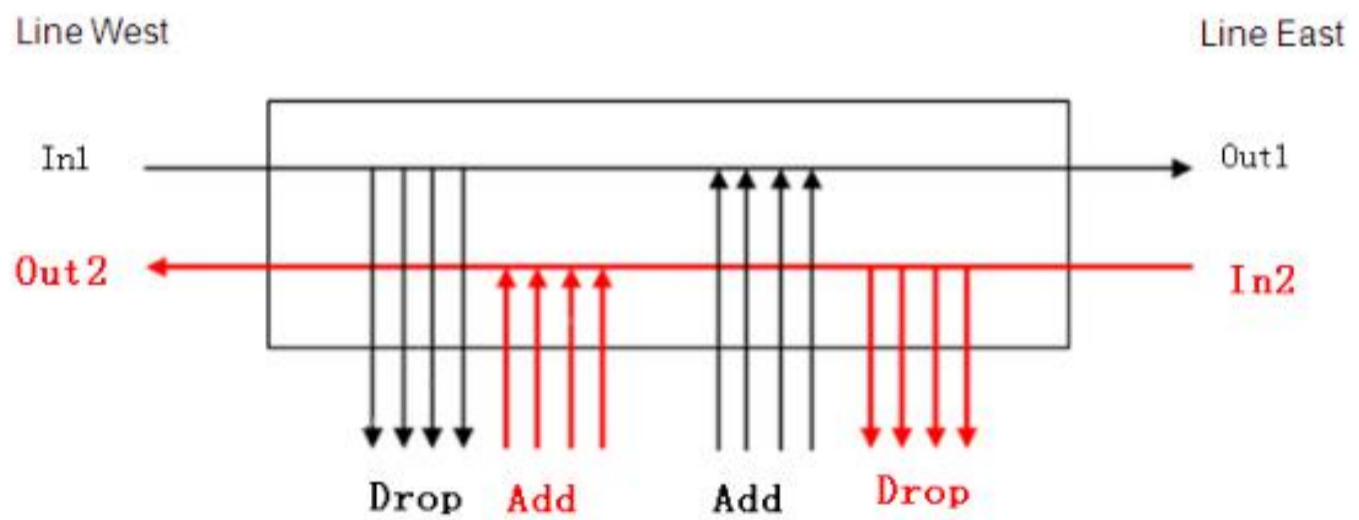
LGX Box (2 in 1):



19-inch 1U Rack Mount:



Structure Diagram



Ordering Information

GADM-xQ	xx	xx	x	xx-	x	x	x
Channel Options x: 1=1CH 2=2CH 3=3CH 4=4CH 5=5CH 6=6CH 7=7CH 8=8CH	Initial Wavelength	Package Type	Fiber Type	Fiber Length	Input Connector	Add/Drop Connector	Output Connector
	27=1270	PX=80×58×8 ABS Box	B=250um bare fiber	10=1.0m	0=None	0=None	0=None
	29=1290	PS=100×80×10 ABS Box	09=0.9mm loose tube	15=1.5m	1=FC/UPC	1=FC/UPC	1=FC/UPC
	31=1310	PM=120×80×18 ABS Box	20=2.0mm loose tube	20=2.0m	2=FC/APC	2=FC/APC	2=FC/APC
	...	PL=140×115×18 ABS Box	30=3.0mm loose tube	25=2.5m	3=SC/UPC	3=SC/UPC	3=SC/UPC
	55=1550	LX=Standard LGX Box		...	4=SC/APC	4=SC/APC	4=SC/APC
	57=1570	21=2 in 1 LGX Box			5=LC/UPC	5=LC/UPC	5=LC/UPC
	59=1590	41=4 in 1 LGX Box			6=LC/APC	6=LC/APC	6=LC/APC
	61=1610	19=19-in 1U Rack Mount					

Notes:

If there is a demand for orders that are different from those described above, please contact Gigalight sales.

E-mail: sales@gigalight.com

Official Site: www.gigalight.com