

## Mechanical VOA

### Description

The Gigalight mechanical VOA (Variable Optical Attenuator) is a micro-optic component designed to control the attenuation of the optical signal passing through it. The desired attenuation can be precisely achieved by adjusting a screw. It can be used to precisely balance the signal strengths in fiber circuits, and balance an optical signal when evaluating the dynamic range of the measurement system. Gigalight provides a series of customized mechanical VOA products to meet different requirements on operating wavelength, fiber type, fiber length, input connector, and output connector.

### Features

- ✓ Low Insertion Loss (IL)
- ✓ High isolation
- ✓ Low Polarization Dependent Loss (PDL)
- ✓ Compact design
- ✓ Attenuation range: 0.6 to 60dB
- ✓ Operating wavelength: 1310nm or 1550nm
- ✓ High reliability and high stability
- ✓ Telcordia GR-1209-CORE-2001 compliant
- ✓ Telcordia GR-1221-CORE-1999 compliant
- ✓ ITU-T G.694.1 compliant
- ✓ RoHS-6 compliant (lead free)



### Applications

- ✓ Fiber communication system test
- ✓ Passive optical component test
- ✓ Optics lab use and research

### Specifications

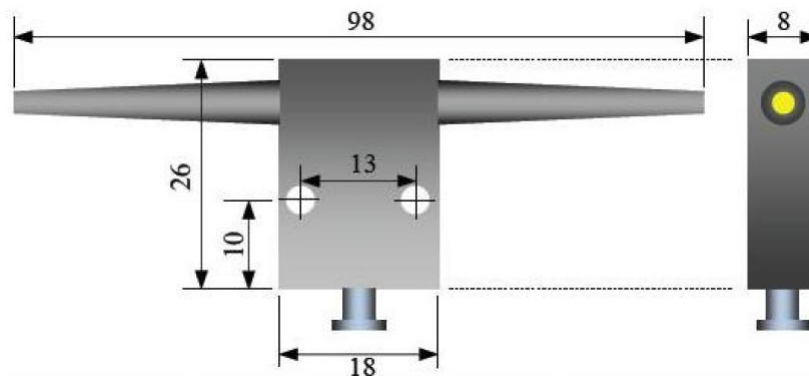
Parameters	Mechanical VOA <sup>[1]</sup>	
Operating Wavelength (nm)	1310	1550
Attenuation Range (dB)	0.6 ~ 60	
Original Insertion Loss (dB)	<0.6	
Adjustment Precision (dB)	0.02	
Return Loss (dB)	>45	
Polarization Dependent Loss (dB)	<0.15	
Polarization Mode Dispersion (ps)	<0.1	
Optical Power Handling (mw)	300	
Operating Temperature (°C)	-5 ~ 75	
Storage Temperature (°C)	-40 ~ 85	
Dimensions (mm)(L×W×H) <sup>[2]</sup>	26×18×8	

### Note:

[1] All specifications are based on the devices with connectors, and guaranteed over wavelength and temperature. Fiber type is G657A1.

[2] The dimension of the block part.

### Mechanical Dimensions



### Ordering Information

GMVOA-	x	x	xx-	x	x
Mechanical VOA	Wavelength	Fiber Type	Fiber Length	Input Connector	Output Connector
	1=1310nm	B=250um bare fiber	10=1.0m	0=None	0=None
	2=1550nm	09=0.9mm loose tube	15=1.5m	1=FC/UPC	1=FC/UPC
		20=2.0mm loose tube	20=2.0m	2=FC/APC	2=FC/APC
			25=2.5m	3=SC/UPC	3=SC/UPC
			...	4=SC/APC	4=SC/APC
				5=LC/UPC	5=LC/UPC
				6=LC/APC	6=LC/APC

Note :

If there is a demand for orders that are different from those described above, please contact Gigalight sales.

E-mail: [sales@gigalight.com](mailto:sales@gigalight.com)

Official Site: [www.gigalight.com](http://www.gigalight.com)