

10G SFP+ Direct Attach Passive Copper Cables GPP-PC192-xxxxC

Features

- Support for multi-gigabit data rates up to 10.5Gb/s
- Data rates backward compatible to 1Gb/s
- Hot-pluggable SFP+ 20PIN footprint
- Improved Pluggable Form-factor (IPF) compliant for enhanced EMI/EMC performance
- Compatible to SFP+ MSA
- Compatible to SFF-8431 and SFF-8432
- Operating case temperature range 0°C to +70°C
- RoHS-6 compliant (lead free)



Applications

- High capacity I/O in Storage Area Networks, Network Attached Storage, and Storage Servers
- Switched fabric I/O such as ultra high bandwidth switches and routers
- Data center cabling infrastructure
- High density connections between networking equipment

Product Description

The 10G SFP+ direct attach passive copper cable assemblies are a high-performance and cost-effective I/O solution for 10G Ethernet and 10G Fibre Channel applications. The SFP+ copper cables allow hardware manufactures to achieve high port density, configurability and utilization at a very low cost and reduced power budget. The high speed cable assemblies meet and exceed 10G Ethernet and 10G Fibre Channel industry standard requirements for performance and reliability.

Recommended Operating Conditions

Parameter	Symbol	Min	Typical	Max	Unit
Storage Ambient Temperature		-40		+85	°C
Operating Case Temperature	T _c	0		+70	°C

Systems

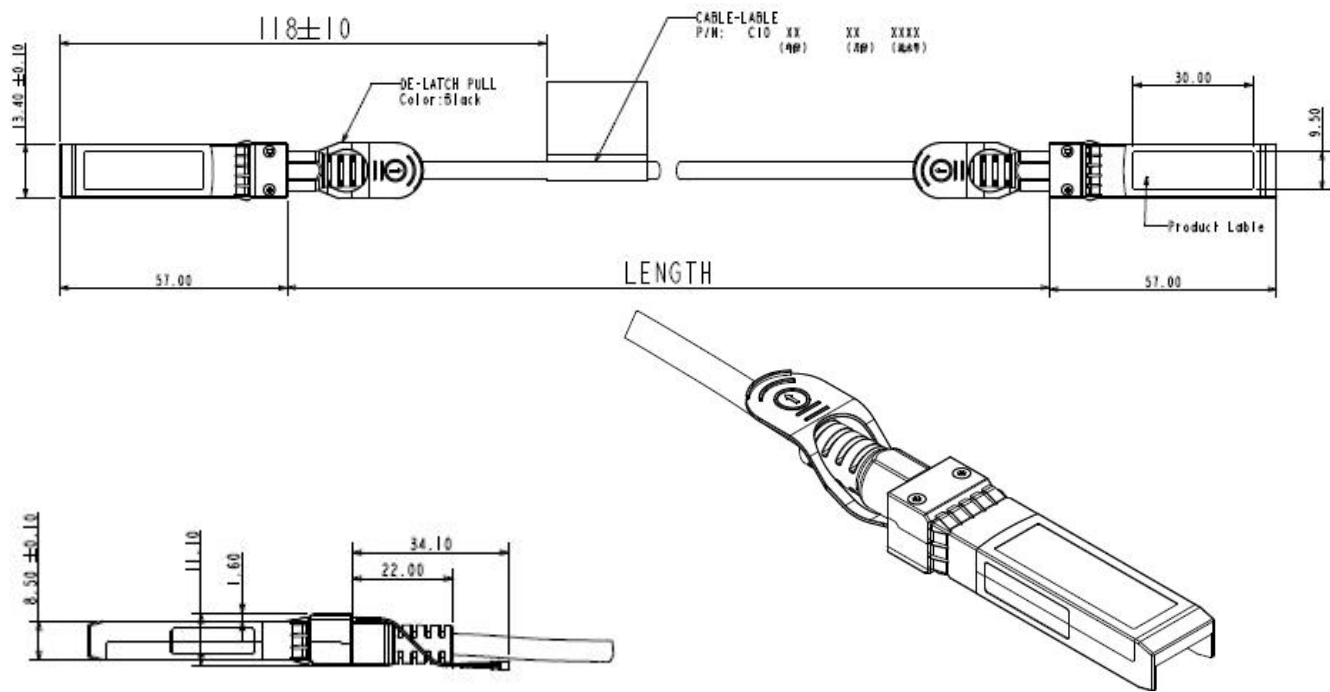
Performance	Media
10Gb/s line speed, full duplex Bit error rate: better than 10E-12	Hot-pluggable, industry-standard Small Form-factor Pluggable (SFP+) copper cable, available as 7m.

Pin Descriptions

Pin	Logic	Symbol	Name/Description	Notes
1		VeeT	Transmitter Ground	
2	LV-TTL-O	TX_Fault	N/A	1
3	LV-TTL-I	TX_DIS	Transmitter Disable	2
4	LV-TTL-I/O	SDA	Tow Wire Serial Data	
5	LV-TTL-I	SCL	Tow Wire Serial Clock	
6		MOD_DEFO	Module present, connect to VeeT	
7	LV-TTL-I	RS0	N/A	1
8	LV-TTL-O	LOS	LOS of Signal	2
9	LV-TTL-I	RS1	N/A	1
10		VeeR	Reciever Ground	
11		VeeR	Reciever Ground	
12	CML-O	RD-	Reciever Data Inverted	
13	CML-O	RD+	Reciever Data Non-Inverted	
14		VeeR	Reciever Ground	
15		VccR	Reciever Supply 3.3V	
16		VccT	Transmitter Supply 3.3V	
17		VeeT	Transmitter Ground	
18	CML-I	TD+	Transmitter Data Non-Inverted	
19	CML_I	TD-	Transmitter Data Inverted	
20		VeeT	Transmitter Ground	

1. Signals not supported in SFP+ Copper pulled-down to VeeT with 30K ohms resistor
2. Passive cable assemblies do not support LOS and TX_DIS

Mechanical Dimensions



Ordering information

Part Number	GPP-PC192-xxxxC						
Length (meter)	1	2	3	4	5	6	7
American Wire Gauge (AWG)	30	30	30	24	24	24	24

Note: diameter and distance can be customized.

Example:

GPP-PC192-3001C: AWG30, 1 meter;

GPP-PC192-3003C: AWG30, 3 meters;

GPP-PC192-2405C: AWG24, 5 meters.



Important Notice

Performance figures, data and any illustrative material provided in this data sheet are typical and must be specifically confirmed in writing by GIGALIGHT before they become applicable to any particular order or contract. In accordance with the GIGALIGHT policy of continuous improvement specifications may change without notice. The publication of information in this data sheet does not imply freedom from patent or other protective rights of GIGALIGHT or others. Further details are available from any GIGALIGHT sales representative.

Shenzhen Gigalight Technology Co., Ltd

Headquarter Address: 17F, Zhongtai Tiancheng, Dongbin Rd, Nanshan Shenzhen, Guangdong, Province, China, Zip Code 518067

Tel: +86-755-26734300

Fax: +86-755-26738181

Email: sales@gigalight.com

<https://www.gigalight.com/>