

12Gbps Video SFP Optical Receiver, 20km Reach GHR-12G-L2CD

Features

- ✓ SD/HD/3G/6G/12G-SDI SFP Receiver
- ✓ ST 259, ST 292-1, ST 424, ST-2081 and ST-2082 compatible
- ✓ Metal enclosure for Lower EMI
- ✓ Supports SDI pathological patterns for SD-SDI, HD-SDI, 3G SDI, 6G SDI and 12G SDI
- ✓ With Reclocker in the module
- ✓ ROHS compliant(lead free)
- ✓ single 3.3V power supply
- ✓ Hot-pluggable SFP footprint
- ✓ Operating case temperature range: 0 to +70°C



Applications

- ✓ Serial Digital Fiber Transmission System for SMPTE ST 259, SMPTE ST 344, SMPTE ST 292-1/2, SMPTE ST 424, SMPTE ST 2081-1 and SMPTE ST 2082-1 Signals
- ✓ UHDTV/HDTV/SDTV Service Interfaces

Description

Gigalight's Video Receiver is designed to receive data rates from 50Mbps to 11.88Gbps, compliant with SMPTE ST 2082-1 (12G UHD-SDI), ST 2081-1 (6G UHD-SDI), ST424 (3G SDI), ST 292-1 (HD-SDI), and ST 259 (SD-SDI). Gigalight's Video Receiver supports SDI pathological patterns signals.

The Receiver includes these sections: a PIN photodiode integrated with a trans-impedance preamplifier (TIA), Reclocker, and a MCU controller.

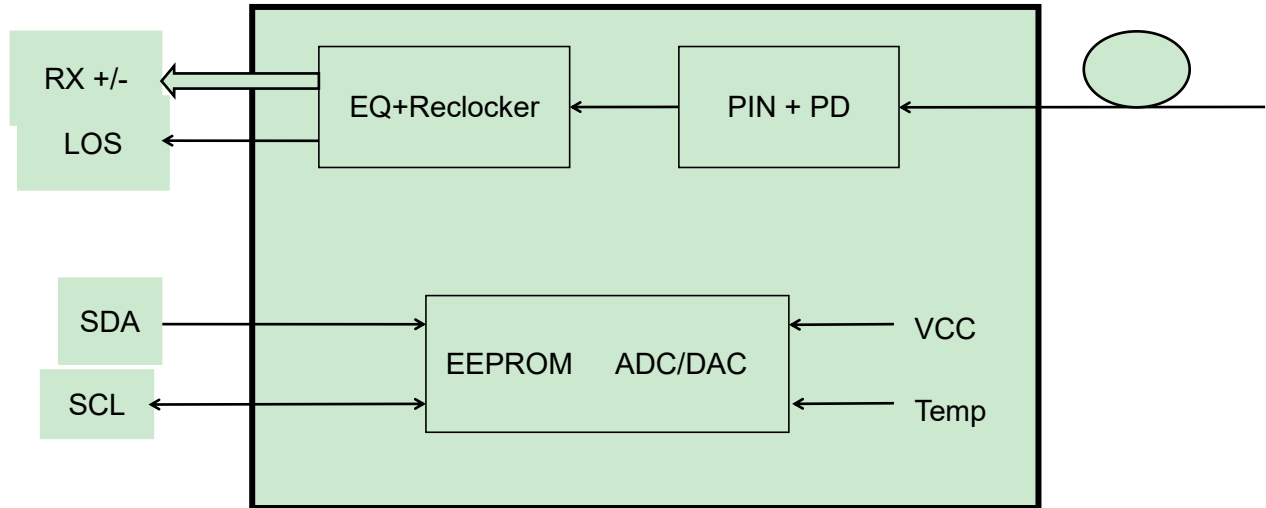


Figure 1. Module Block Diagram

Absolute Maximum Ratings

| Parameter | Symbol | Min | Max | Unit |
|---------------------|----------|------|------|------|
| Supply Voltage | V_{CC} | -0.5 | 5.25 | V |
| Storage Temperature | T_s | -40 | +85 | °C |
| Operating Humidity | - | 5 | 85 | % |

Recommended Operating Conditions

| Parameter | Symbol | Min | Typical | Max | Unit |
|----------------------------|----------|------|---------|------|------|
| Operating Case Temperature | T_c | 0 | | +70 | °C |
| Power Supply Voltage | V_{CC} | 3.13 | 3.3 | 3.47 | V |
| Power Supply Current | I_{CC} | | 300 | | mA |
| Data Rate | | | 12 | | Gbps |

Optical and Electrical Characteristics

| Parameter | Symbol | Min | Typical | Max | Unit | Notes |
|---------------------------------|-------------|------|---------|----------|------|-------|
| Center Wavelength | λ_c | 1260 | | 1580 | nm | |
| Receiver Sensitivity@ 11.88Gbps | | | | -11 | dBm | 1 |
| Receiver Sensitivity@ 5.94Gbps | | | | -13 | dBm | |
| Receiver Sensitivity@ 2.97Gbps | | | | -15 | dBm | |
| Receiver Overload | | 1 | | | dBm | 2 |
| LOS De-Assert | LOS_D | | | -18 | dBm | |
| LOS Assert | LOS_A | -28 | | | dBm | |
| LOS Hysteresis | LOS_H | 1 | | 4 | dB | |
| Data Output Swing Differential | V_{out} | 400 | 800 | 800 | mV | 3 |
| LOS | High | 2.0 | | V_{CC} | V | |
| | Low | | | 0.8 | V | |

Note:

1. Measured With Pathological Patterns 11.88Gpbs (4096*2160 P60,100% Bars);5.94Gpbs (4096*2160 P29.97,100% Bars);2.97Gpbs (2048*1080 P50,100% Bars).
2. Internally AC-coupled, minimum input overload power for SMPTE ST 2081-1, SMPTE ST 2082-1.
3. Rise and fall times, 20% to 80%, are measured following a fourth-order Bessel-Thompson filter with a bandwidth of 0.75 x clock frequency corresponding to the serial data rate.

Timing and Electrical

| Parameter | Symbol | Min | Typical | Max | Unit |
|----------------------|----------------|-----|---------|-----------------|------|
| Time To Initialize | t_init | | | 300 | ms |
| Serial ID Clock Rate | f_serial_clock | | 100 | | KHz |
| MOD_DEF (0:2)-High | V _H | 2 | | V _{cc} | V |
| MOD_DEF (0:2)-Low | V _L | | | 0.8 | V |

Diagnostics Specification

| Parameter | Range | Unit | Accuracy | Calibration |
|-------------|------------|------|----------|---------------------|
| temperature | 0 to +70 | °C | ±3°C | Internal / External |
| Voltage | 3.0 to 3.6 | V | ±3% | Internal / External |
| RX Power | -24to +1 | dBm | ±3dB | Internal / External |

I2C Bus Interface

The I2C bus interface uses the 2-wire serial CMOS E2PROM protocol. The serial interface meets the following specifications:

- 1.Support a maximum clock rate of 280Khz.
2. Input/Output levels comply with LVCMOS/LVTTL or compatible logics.

Low: 0 – 0.8 V

High: 2.0 – 3.3 V

Undefined: 0.8 – 2.0 V

Pin Description

| Pin | Signal Name | Description | Plug Seq. | Notes |
|-----|-------------|-----------------------------------|-----------|--------|
| 1 | VEE | Ground | 1 | |
| 2 | VEE | Ground | 3 | |
| 3 | NC | Not Connected | 3 | |
| 4 | VEE | Ground | 3 | |
| 5 | SCL | 2-wire Serial Interface Clock | 3 | Note 1 |
| 6 | SDA | 2-wire Serial Interface Data Line | 3 | Note 1 |
| 7 | VEE | Ground | 3 | |
| 8 | LOS | Loss of Signal | 3 | Note 2 |

| | | | | |
|----|-----|-----------------------------------|---|--------|
| 9 | NC | Not Connected | 3 | |
| 10 | NC | Not Connected | 1 | |
| 11 | VEE | Ground | 1 | |
| 12 | RX- | Receiver Inverted Data Output | 3 | Note 3 |
| 13 | RX+ | Receiver Non-Inverted Data Output | 3 | Note 3 |
| 14 | VEE | Ground | 1 | |
| 15 | VCC | Receiver Power Supply | 2 | |
| 16 | VCC | Receiver Power Supply | 2 | |
| 17 | VEE | Ground | 1 | |
| 18 | NC | Not Connected | 3 | |
| 19 | NC | Not Connected | 3 | |
| 20 | NC | Not Connected | 1 | |

Note:

Plug Seq.: Pin engagement sequence during hot plugging.

1.SCL,SDA. They should be pulled up with a 4.7k~10kΩ resistor on the host board.

SCL is the clock line of two wire serial interface for serial ID.

SDA is the data line of two wire serial interface for serial ID.

2.LOS is an open collector output, which should be pulled up with a 4.7k~10kΩ resistor on the host. Pull up voltage between 2.0V and Vcc+0.3V. Logic 1 indicates loss of signal; Logic 0 indicates normal operation. In the low state, the output will be pulled to less than 0.8V.

3.RX-/+: These are the differential receiver outputs. They are internally AC-coupled 100 differential lines which should be terminated with 100Ω (differential) on the host.

Pin Definition

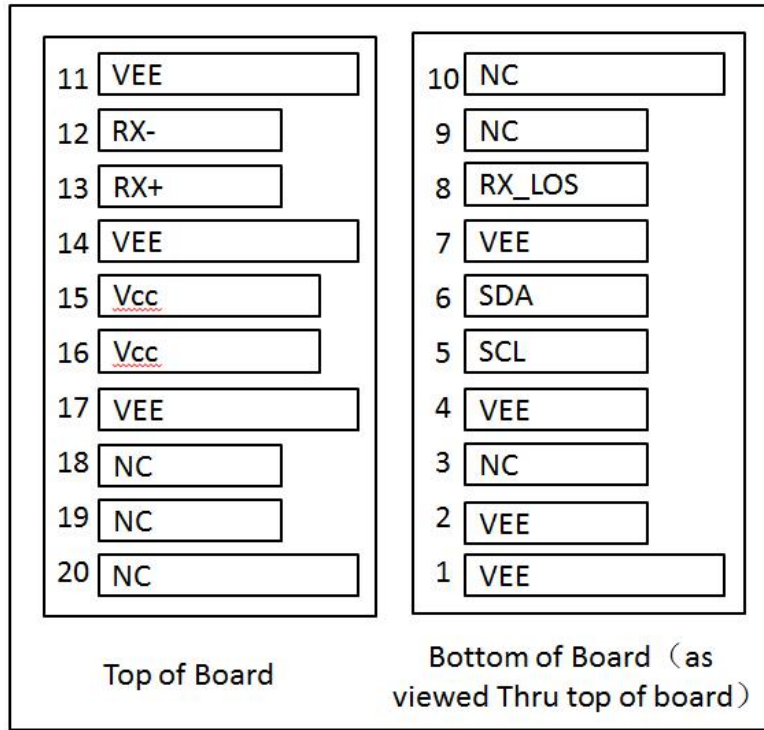


Figure 2. Electrical Pin-out Details

Mechanical Dimensions

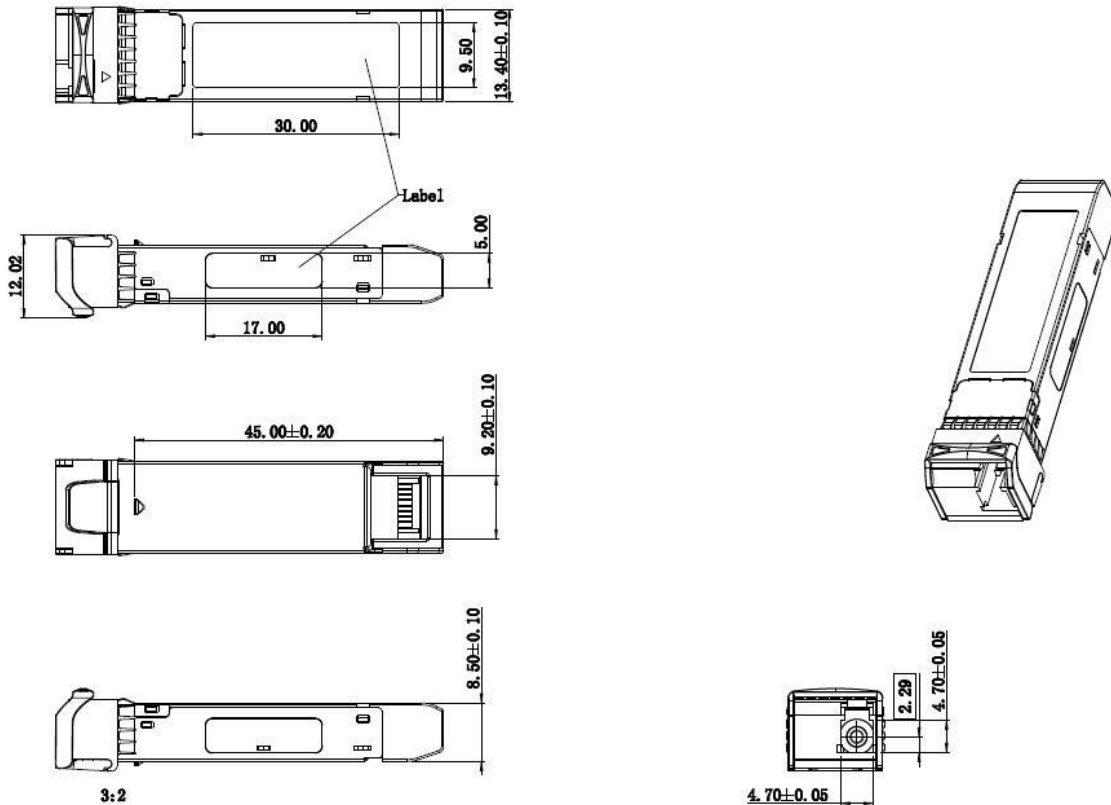


Figure 3. Mechanical Specifications

Regulatory Compliance

| Feature | Standard |
|--------------------------|--|
| Environmental protection | 2011/65/EU |
| CE EMC | EN55032: 2015 EN55035: 2017 EN61000-3-2:2014 EN61000-3-3:2013 |
| FCC | FCC Part 15, Subpart B; ANSI C63.4-2014 |
| Product Safety | EN/UL 60950-1, 2nd Edition, 2014-10-14 |

CAUTION:

Use of controls or adjustment or performance of procedures other than those specified herein may result in hazardous radiation exposure.

Ordering Information

| Part Number | Product Description |
|--------------|--|
| GHR-12G-L2CD | SD/HD/3G/6G/12G SDI Receiver, NON-MSA, Reclocker |

Important Notice

Performance figures, data and any illustrative material provided in this data sheet are typical and must be specifically confirmed in writing by Gigalight before they become applicable to any particular order or contract. In accordance with the Gigalight policy of continuous improvement specifications may change without notice.

The publication of information in this data sheet does not imply freedom from patent or other protective rights of Gigalight or others. Further details are available from any Gigalight sales representative.

E-mail: sales@gigalight.com

Official Site: www.gigalight.com

Revision History

| Revision | Date | Description |
|----------|--------------|------------------|
| V0 | Mar-19- 2019 | Advance Release. |