

CWDM MUX DEMUX

Features

- Low Insertion Loss (IL)
- High isolation
- Low Polarization Dependent Loss (PDL)
- Available in 2 to 18 channels with compact design
- Good channel-to-channel uniformity
- Wide operating wavelength range
- High reliability and high stability
- Telcordia GR-1209-CORE-2001 compliant
- Telcordia GR-1221-CORE-1999 compliant
- ITU-T G.694.2 compliant
- RoHS-6 compliant (lead free)

Applications

- Broadband Networks
- Metro Networks
- CATV Systems

Description

The Gigalight CWDM (Coarse Wavelength Division Multiplexing) MUX/DEMUX (Multiplexer/Demultiplexer) is a multi-channel CWDM device designed for cost-effective multi-wavelength CWDM network applications. It is based on the Thin Film Filter (TFF) technology and operates at 20nm channel spacing ITU Grid CWDM wavelengths from 1270nm to 1610nm. Gigalight provides a series of customized CWDM MUX/DEMUX devices packaged in plastic ABS box, metal LGX box, or rack mount to meet different requirements on port configuration (2 to 18 channels, 1310nm/upgrade/monitoring ports available), operating wavelength, package type, fiber type, fiber length, input connector, and output connector.



ABS Box



LGX Box



19" Rack Mount

Specifications

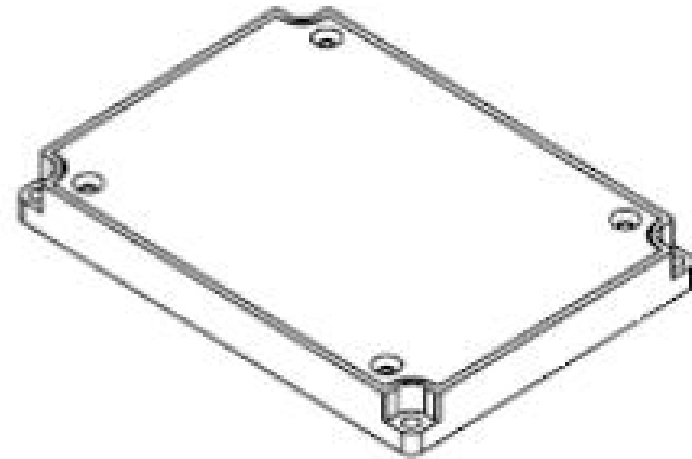
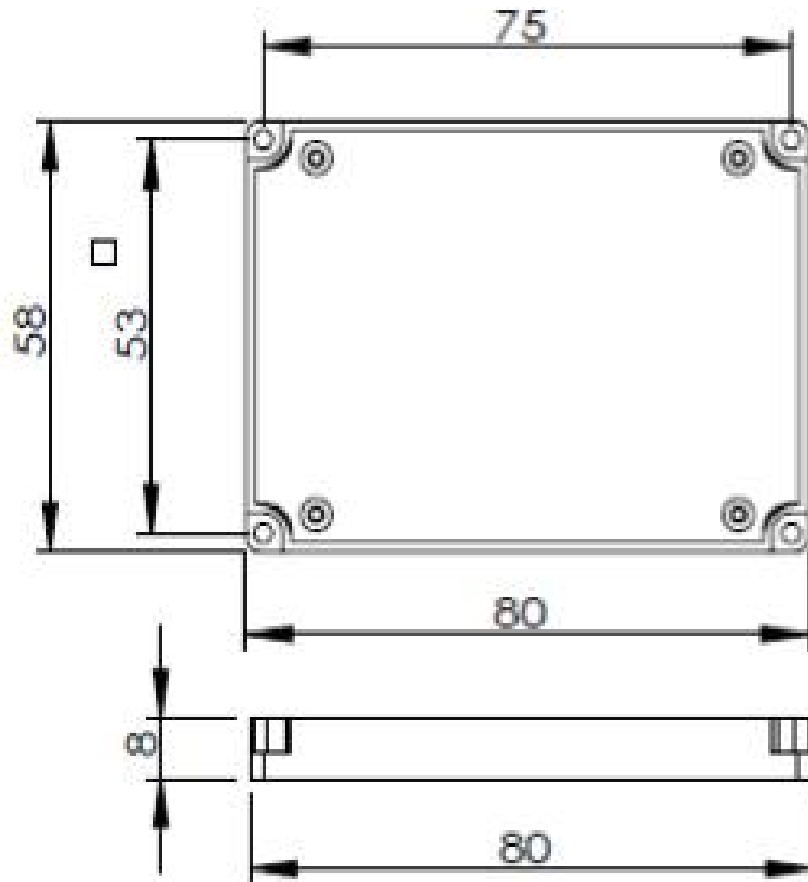
Parameters	CWDM MUX/DEMUX				
Port Configuration	1x2	1x4	1x8	1x16	1x18
Center Wavelength (nm)	1270~1610				
Operating Wavelength (nm)	1260~1620				
Channel Space (nm)	20				
Channel Passband @0.5dB (nm)	ITU±6.5				
Channels IL (dB)	<1.2	<1.8	<3.0	<3.4	<3.7
Link IL (Mux+Demux) (dB)	<2.1	<2.7	<3.9	<4.6	<5.3
Adjacent Channels Isolation (dB)	>30				
Non-Adjacent Isolation (dB)	>45				
Directivity (dB)	>50				
Return Loss (dB)	>45				
Ripple (dB)	<0.5				
PDL (dB)	<0.2				
PMD (ps)	<0.1				
Maximum Optical Power (mw)	300				
Operating Temperature (°C)	-5 ~ 75				
Storage Temperature (°C)	-40 ~ 85				
Package (mm) (LxWxH)	ABS Box: 80x58x8, 100x80x10, 120x80x18, 140x115x18 LGX Box: standard, 2 in 1, 4 in1 19-inch 1U Rack Mount: standard				

Notes:

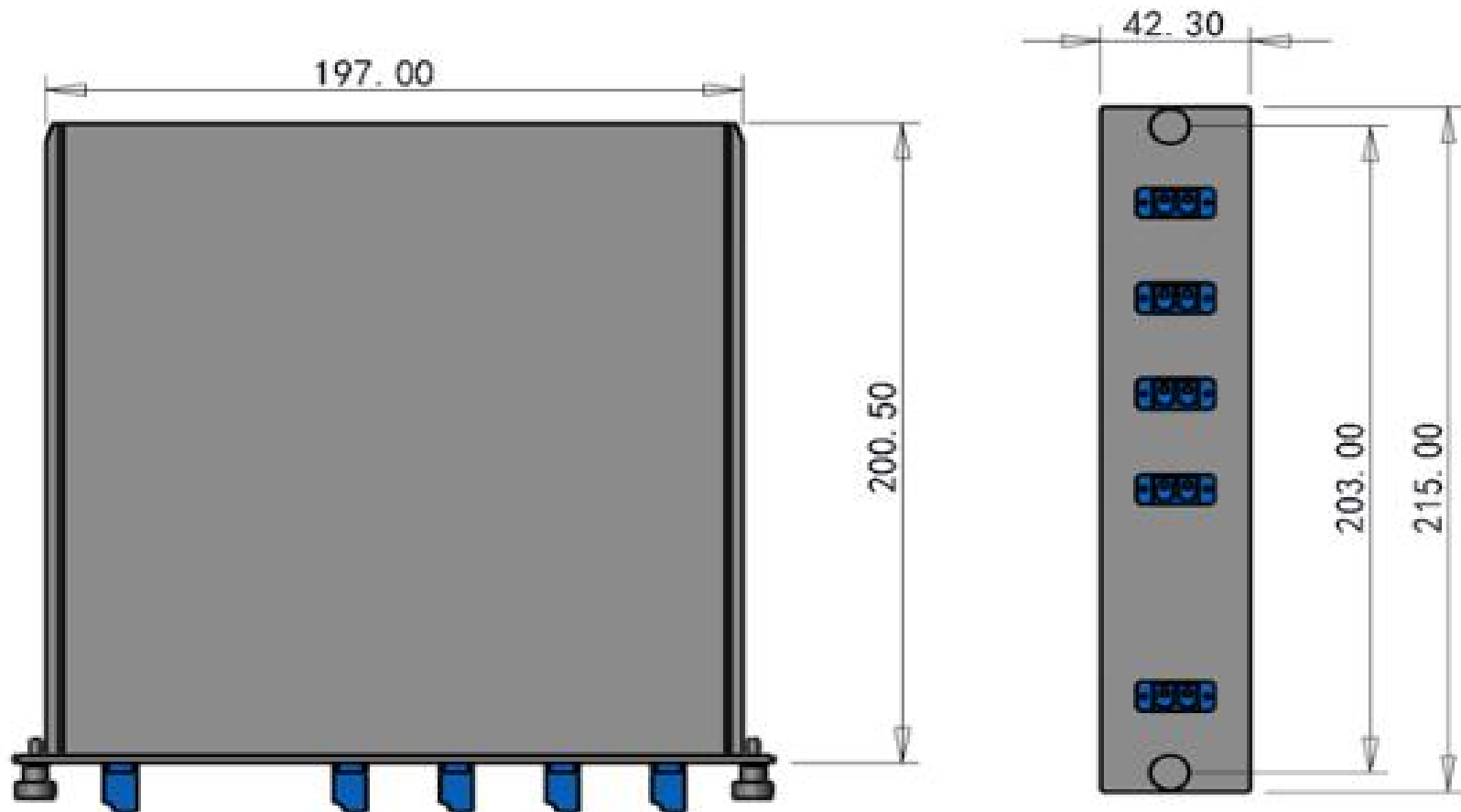
1. All specifications are based on the devices with connectors, and guaranteed over wavelength and temperature.
2. Fiber type is G657A.
3. An additional 0.3dB loss ought to be added per adapter for LGX box and rack mount.

Mechanical Dimensions

ABS Box (PX: 80x58x8):



LGX Box (2 in 1):





www.gigalight.com

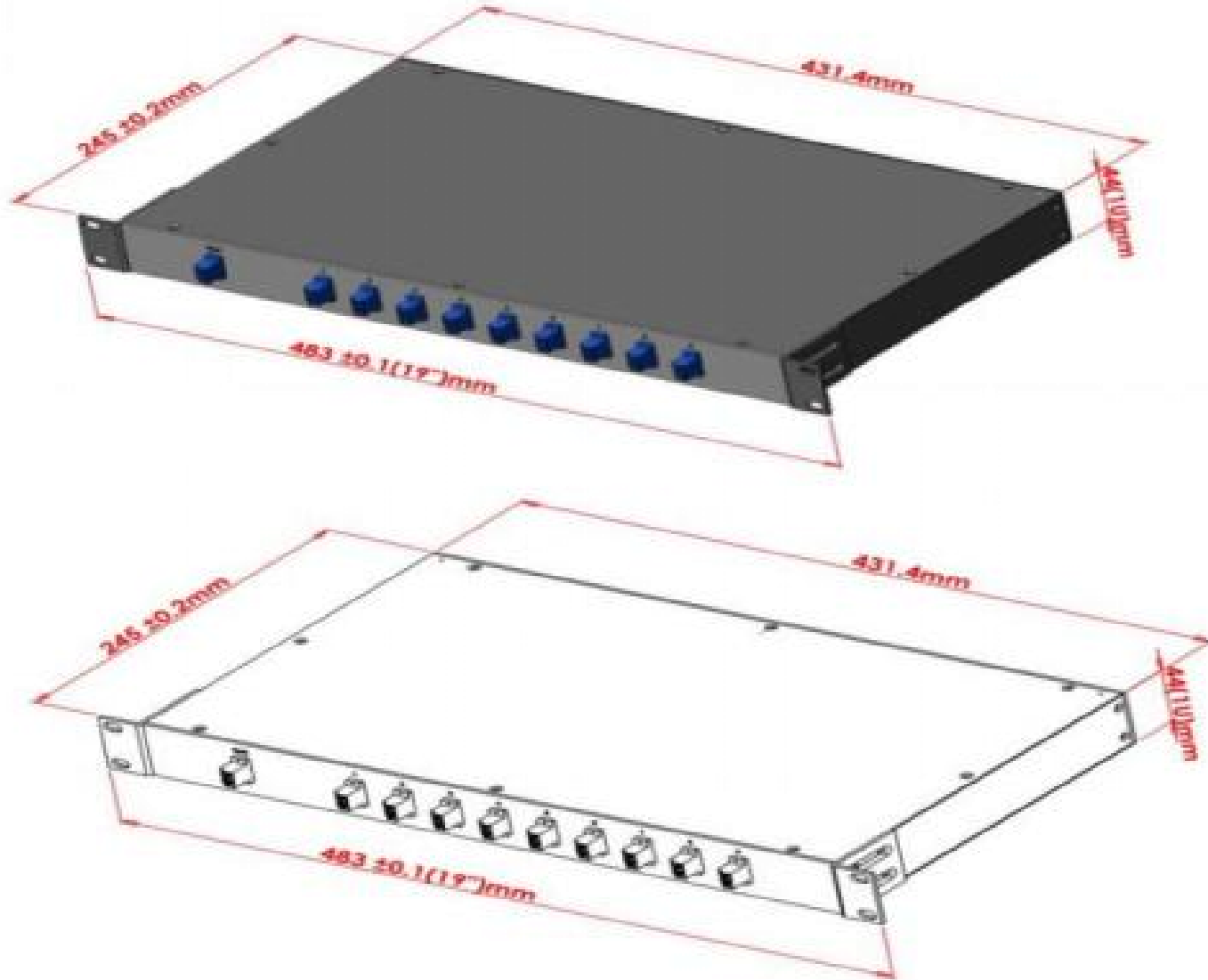
深圳市易飞扬通信技术有限公司
Shenzhen Gigalight Technology Co., Ltd.

Optical Interconnection Design Innovator

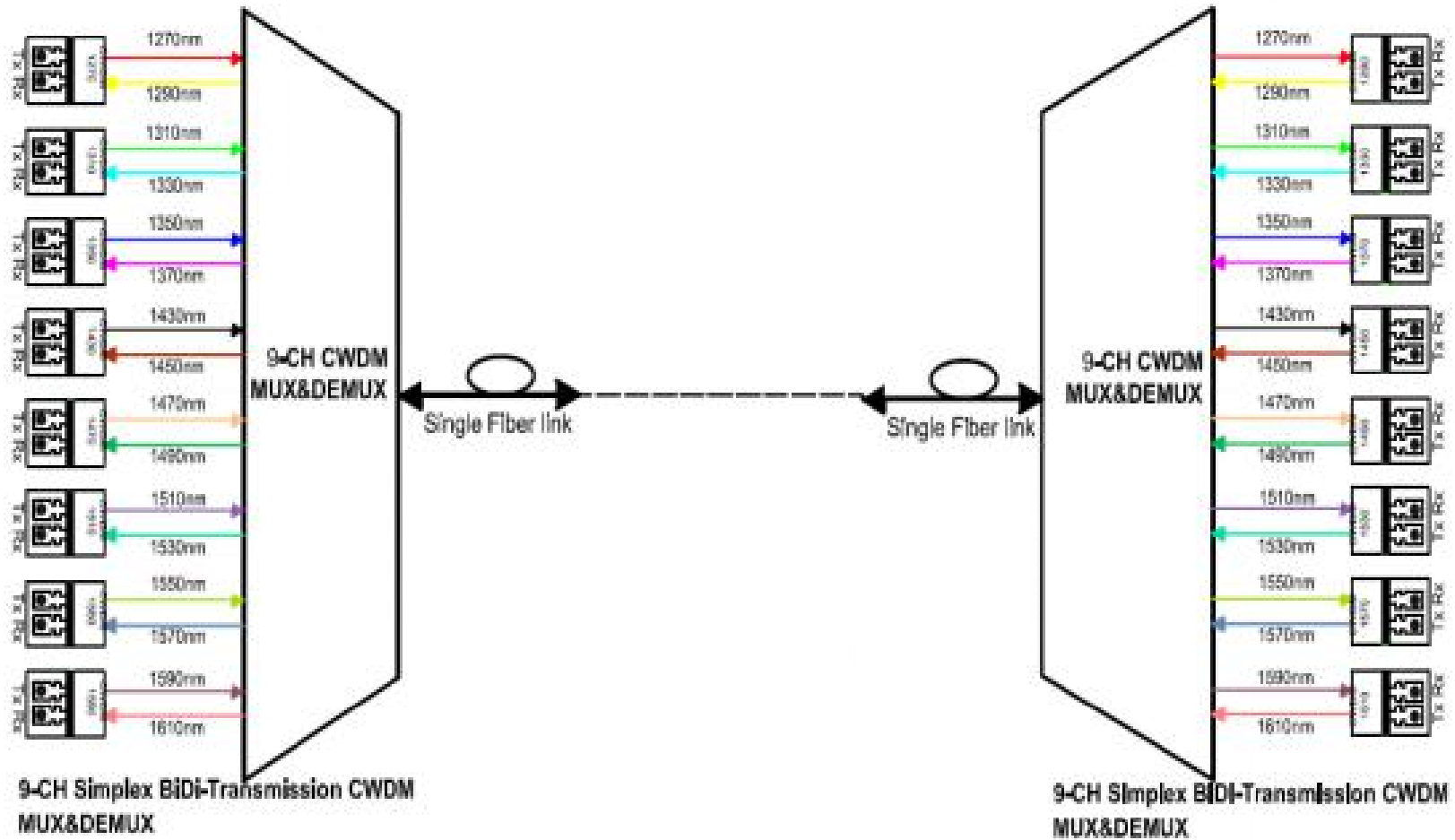
19-inch 1U Rack Mount:

Email: sales@gigalight.com

Official Site: www.gigalight.com



Structure Diagram



Ordering Information

GWM-xxQ	x	xx	xx	x	xx-	x	x
---------	---	----	----	---	-----	---	---

	MUX/DEMUX Type	Initial Wavelength	Package Type	Fiber Type	Fiber Length	Input Connector	Output Connector
CWDM MUX/DEMUX xx: 02=2CH 04=4CH ... 18=18CH	M=MUX	27=1270	PX=80x58x8	B=250um	10=1.0m	0=None	0=None
	D=DEMUX	29=1290	PS=100x80x1	09=0.9m	15=1.5m	1=FC/UPC	1=FC/UPC
	1=MUX	31=1310	PM=120x80x1	20=2.0m	20=2.0m	2=FC/APC	2=FC/APC
	2=DEMUX	...	PL=140x115x1		25=2.5m	3=SC/UPC	3=SC/UPC
	3=MUX	51=1510	LX=Standard		...	4=SC/APC	4=SC/APC
	4=DEMUX	53=1530	21=2 in 1			5=LC/UPC	5=LC/UPC
	5=MUX	55=1550	41=4 in 1			6=LC/APC	6=LC/APC
	6=DEMUX	57=1570	19=19-in 1U				
	7=MUX	59=1590					
	8=DEMUX	61=1610					

Notes:

If there is a demand for orders that are different from those described above, please contact Gigalight sales.