

TYFIBER USB 3.0 Active Optical Cables G-USBAOC-3-xxxC

Features

- Extend USB 3.0 super speed devices up to 100m over fiber optics(MMF OM2)
- Support self-powered USB 3.0 compliant device
- Data rate up to 5Gbps
- 850nm VCSEL transmitter and PIN photo-detector receiver
- Operate with USB 3.0 super speed hot controllers
- Support all major operating systems including Windows, Mac OS, and Linux
- Number of devices can be increased using additional hubs
- Low power consumption
- Operating case temperature range: 0 to 70°C
- All-metal housing for superior EMI performance
- RoHS compliant (lead free)



Applications

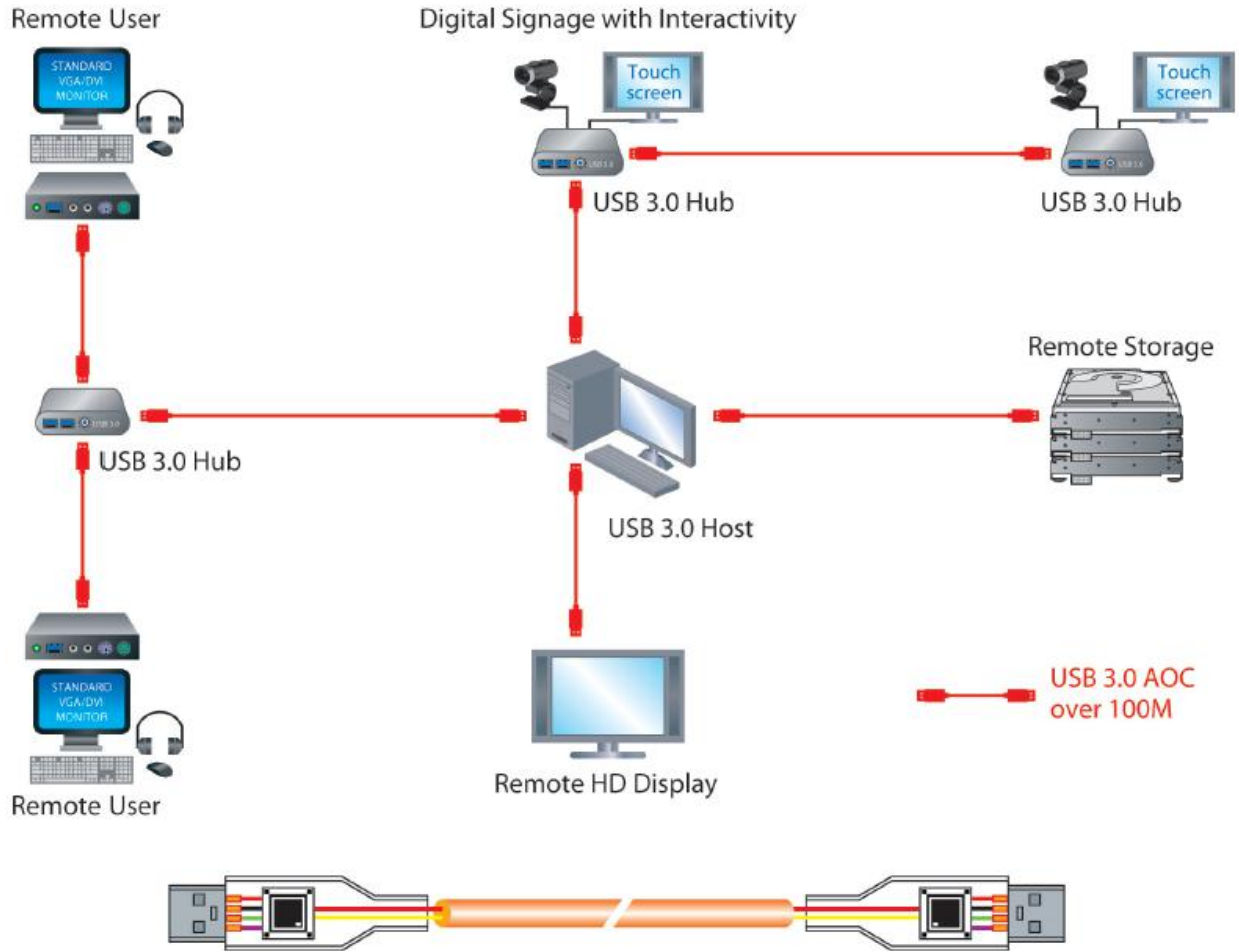
- Industrial Control
- Digital Signage
- Home Network Integration
- Medical Device Connectivity
- KVM Extension
- Remote Desktop USB 3.0 Connections
- Security: web camera, access control
- USB 3.0 Devices Sharing: print, scan, storage

Description

The TYFIBER USB 3.0 Active Optical Cable (AOC) consists of two USB 3.0 Standard-A connectors and multimode optical fiber, and each end has IC/VCSEL/PD, to complete the OE & EO conversion.

Notes:

1. The fiber part of USB 3.0 AOC does not carry power, so upstream connector should be powered by the host side. The TYFIBER cables do not provide or transmit power to devices.
2. The host side should be USB 3.0 compatible computer* (host computer) with a USB 3.0 compliant operating system.
3. The USB 3.0 AOC will not function when connected to USB 2.0/1.1 host.



O/E module integrated active optical cable for high speed data link >100M @5Gbps

Figure 1. The Applications of TYFIBER USB 3.0 AOC

USB 3.0 AOC Specifications

Parameter	Description
Protocols Supported	Universal Serial Bus 3.0 Specification
Data Rate	5.0Gbps
BER	10^{-12}
Operating Case Temperature	0 to + 70°C
Storage Temperature	-20 to + 85°C
Supply Voltage	5.0V
Supply current	Max. 80mA per end typical
Minimum Bend Radius	30mm
Maximum Bearing Tension	40N

Mechanical Specifications

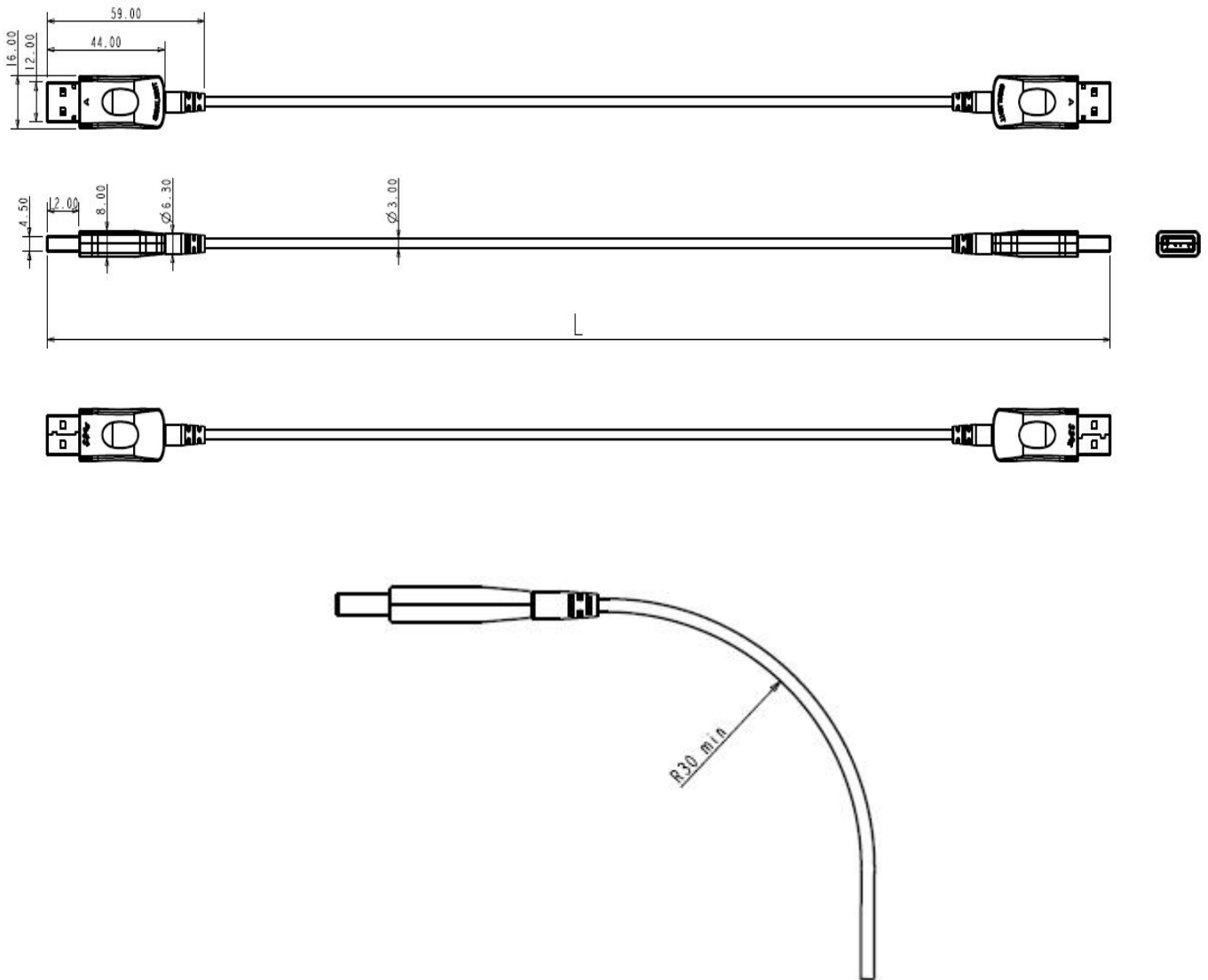


Figure 2. Mechanical Specifications

Important Notice

Performance figures, data and any illustrative material provided in this data sheet are typical and must be specifically confirmed in writing by TYFIBER before they become applicable to any particular order or contract. In accordance with the TYFIBER policy of continuous improvement specifications may change without notice.

The publication of information in this data sheet does not imply freedom from patent or other protective rights of TYFIBER or others. Further details are available from any TYFIBER sales representative.

Ordering information

Part Number	Product Description
G-USBAOC-3-001C	1m USB 3.0 Active Optical Cable
G-USBAOC-3-002C	2m USB 3.0 Active Optical Cable
G-USBAOC-3-003C	3m USB 3.0Active Optical Cable
G-USBAOC-3-005C	5m USB 3.0 Active Optical Cable
G-USBAOC-3-007C	7m USB 3.0 Active Optical Cable
G-USBAOC-3-010C	10m USB 3.0 Active Optical Cable
...	...
G-USBAOC-3-100C	100m USB 3.0 Active Optical Cable
xxx: 001~100, 1~100 Length in meters	

E-mail: sales@tyfiber.com

Web: tyfiber.com